

INDEX FOR FIRE RATINGS

Steel pipes with foam insulation in flexible & rigid walls.....	P. 2
Copper pipes with foam insulation in flexible & rigid walls.....	P.3
Alupex pipes with foam insulation in flexible & rigid walls.....	P.4
Plastic pipes in flexible & rigid walls.....	P.4
Steel pipes with foam insulation in rigid walls.....	P. 5
Plastic pipes in rigid walls.....	P. 6
Steel pipes with foam insulation in Rigid Floors.....	P. 6-7
Copper pipes with foam insulation in Rigid Floors.....	P. 8
Alupex pipes with foam insulation in Rigid Floors.....	P. 9
Plastic pipes in Rigid Floors.....	P. 9-10
Plastic pipes with cables in Rigid Floors.....	P. 10

PRODUCT DESCRIPTION

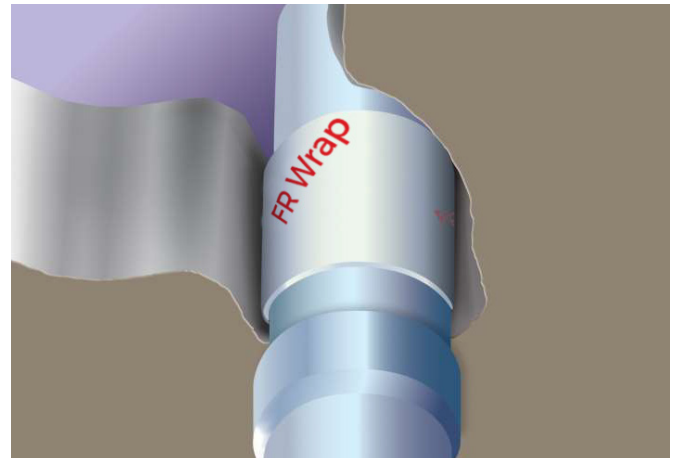
iPASSIVE FR Wrap is designed to maintain the fire resistance of fire separating walls and floors when these are breached by plastic pipes or metal pipes with continuous combustible insulation, and may be used in gypsum, masonry or concrete walls and concrete floors. Each pipe wrap consists of a graphite based reactive intumescent strip, which reacts to heat and closes the opening left by the softening plastic pipe or pipe insulation in a fire. The pipe wrap is installed completely around the pipes or insulation and is available with or without an adhesive strip. The annular space around the pipe wrap is sealed with iPASSIVE EX Mortar or iPASSIVE FR Board.

GENERAL GUIDE

Minimum separations and limitations: Services can be sealed as specified in the detailed drawings on pages 2 to 9. An aperture can include several services, and they may also be different. Minimum separation between services and also between services and the edge of the seal within each aperture should be 30 mm to allow for correct fitting of any stone wool shutter and seal depth. Minimum separation between apertures should be at least 20 cm. The total amount of cross sections of services (including insulation) should not exceed 60% of the penetration area.

Supporting constructions: Flexible walls must have a minimum thickness of 100 mm and comprise steel studs or timber studs*) lined on both faces with minimum 2 layers of 12.5 mm thick boards. Rigid walls must have a minimum thickness of 100 mm and comprise concrete, aerated concrete or masonry, with a minimum density of 650 kg/m³. Rigid Floors must have a minimum thickness of 150 mm and comprise aerated concrete or concrete with a minimum density of 650 kg/m³. The supporting construction must be otherwise tested or assessed to achieve the required FRL of the penetration seal in accordance with AS1530.4 -2014. First service support should be fitted at 300 mm from the fire seal in walls and 250 mm in floors.

*Timber studs: no part of the penetration seal may be closer than 100 mm to a stud, and minimum 100 mm of insulation must be provided within the cavity between the penetration seal and the stud.



INSTALLATION INSTRUCTIONS

1. Ensure the faces of the aperture opening are free of dust and any other contaminants. The faces may be moistened for better adhesion.
2. Fix a suitable pipe wrap around the service penetration and fasten with the tape as tightly as possible in order to prevent any excess opening between the pipe wrap and the service.
3. In floors, only one pipe wrap is required to be installed flush with the soffit so that the edge of the wrap is visible from the underside when back-filled. For walls it is normal to fit a wrap on both sides of the wall, again with the edge just visible. Please see detail drawings of installation methods on pages 2 to 9.
4. When installing pipe wraps in hollow floor slabs or boards, level the fire seal with the soffit side. Ensure there is sufficient thickness of concrete below the void for the depth of the fire seal. Where this is not the case, tubular voids should be filled with stone wool normally the same thickness as the depth of the floor slab.
5. Once the wrap is securely installed, fire seal the empty aperture surrounding the pipe wraps as follows:

Floors with iPASSIVE EX Mortar: Install a cast shutter plate or board. Make sure that this achieves a very tight seal. Pour clean water into a suitable mixing vessel and pour enough mortar to obtain the required consistency. Pour or trowel the mortar onto the shutter making sure that it flows into all corners and around services. Apply a firm pressure to the mortar to eliminate any trapped air bubbles.

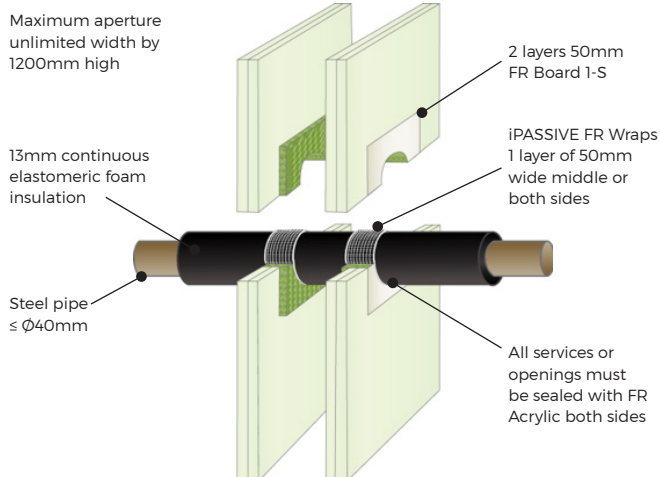
Walls with iPASSIVE FR Board: Cut the required boards to suit the aperture dimensions and type and size of service penetrations. All exposed and cut edges of the board can be sealed with iPASSIVE FR Coating or iPASSIVE FR Acrylic prior to fitting which will act as an adhesive and ensure a smoke tight seal. All joints, gaps or imperfections in the installed seal must be sealed with iPASSIVE FR Acrylic on both sides.

Please see Technical Data Sheets and Installation Guides for iPASSIVE EX Mortar and iPASSIVE FR Board for additional details.

DETAIL DRAWINGS | IPASSIVE FR WRAP | WALLS

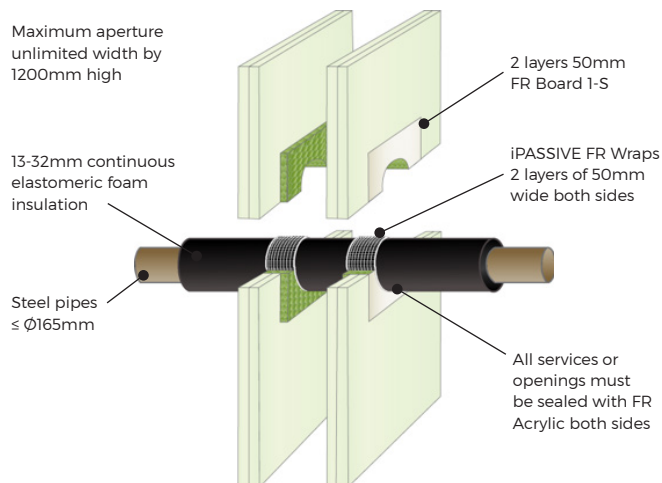
STEEL PIPES FIRE RESISTANCE -/120/120 U/U

Gypsum, Masonry Or Concrete - Walls



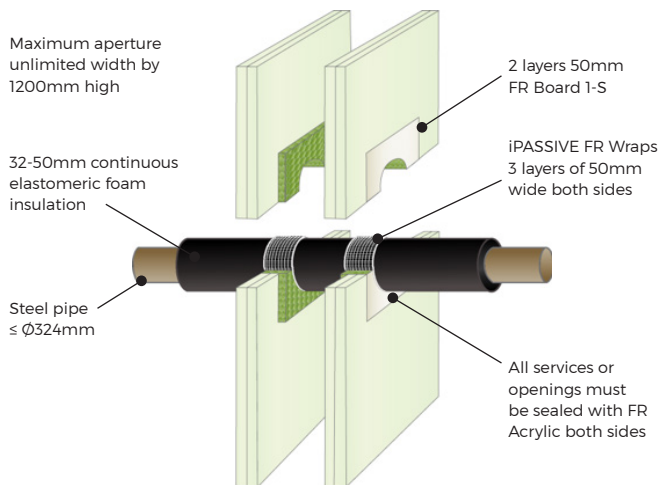
STEEL PIPES FIRE RESISTANCE -/120/60 U/U

Gypsum, Masonry Or Concrete - Walls



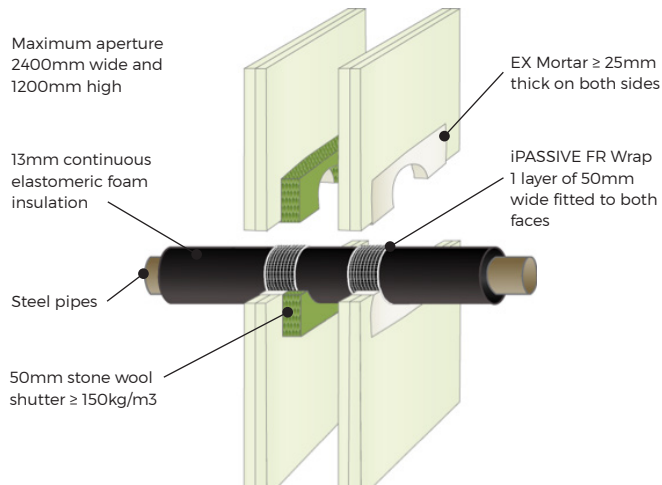
STEEL PIPES FIRE RESISTANCE -/90/90 C/U

Gypsum, Masonry Or Concrete - Walls



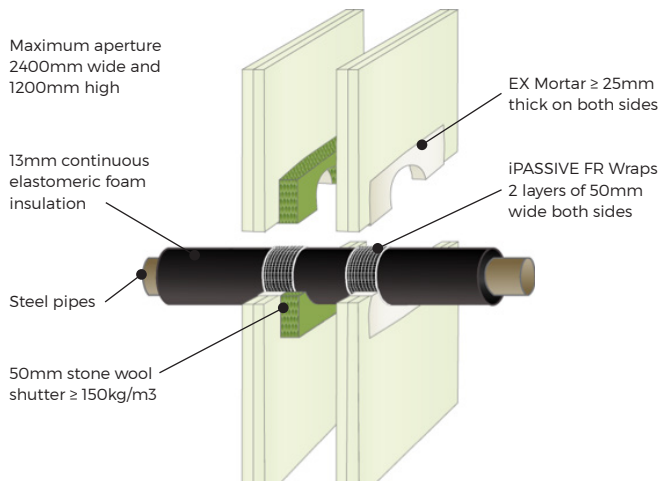
STEEL PIPES FIRE RESISTANCE -/120/120 C/U

Gypsum, Masonry Or Concrete - Walls



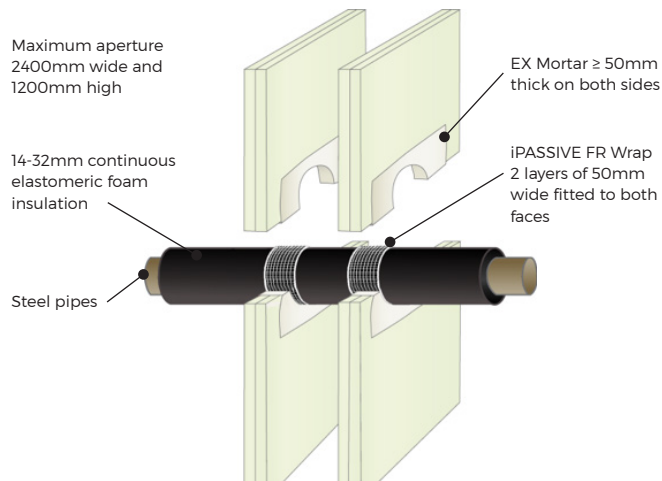
STEEL PIPES FIRE RESISTANCE -/120/60 C/U

Gypsum, Masonry Or Concrete - Walls



STEEL PIPES FIRE RESISTANCE -/120/60 C/U

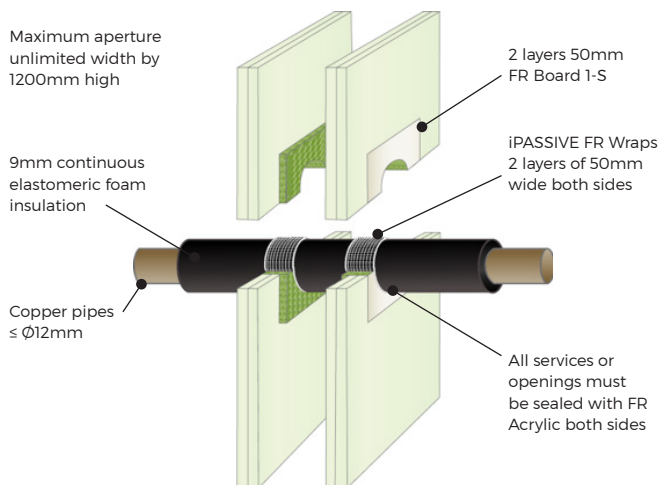
Gypsum, Masonry Or Concrete - Walls



DETAIL DRAWINGS | IPASSIVE FR WRAP | WALLS

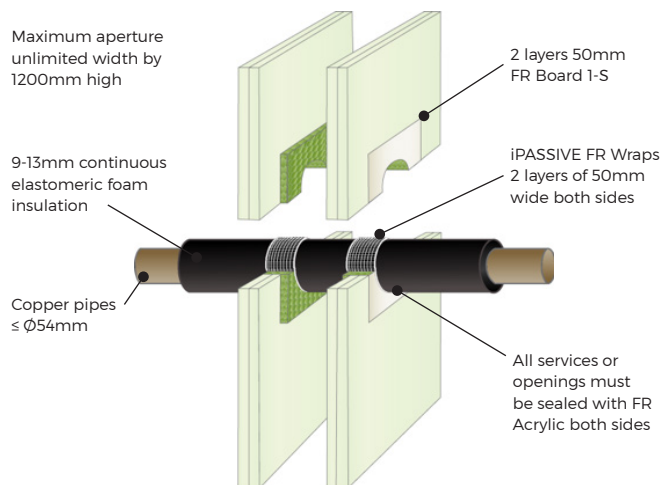
COPPER PIPES FIRE RESISTANCE -/120/120 C/C

Gypsum, Masonry Or Concrete - Walls



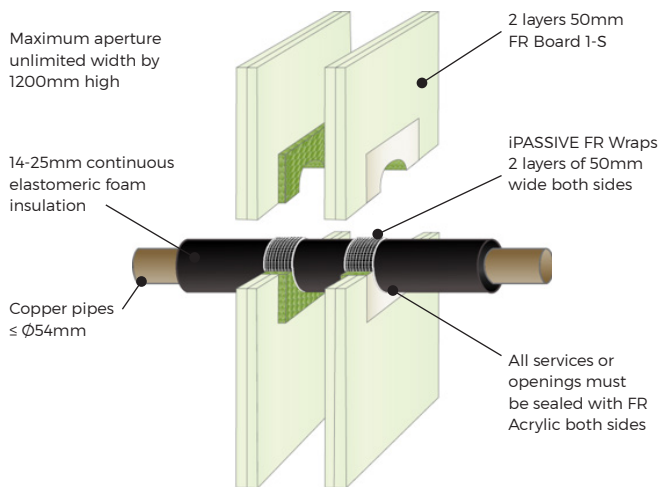
COPPER PIPES FIRE RESISTANCE -/120/90 C/C

Gypsum, Masonry Or Concrete - Walls



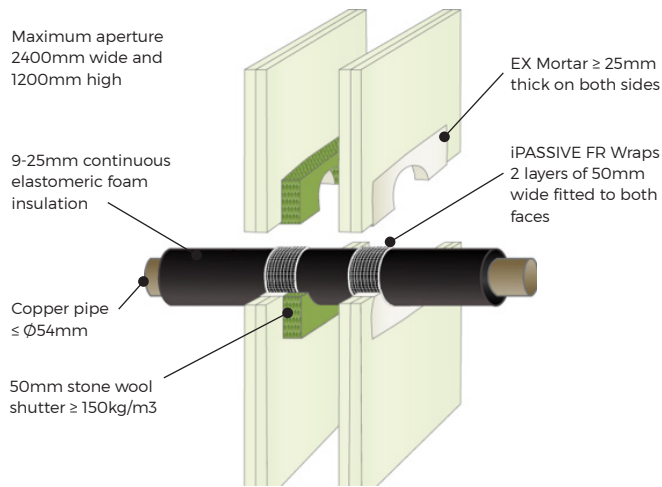
COPPER PIPES FIRE RESISTANCE -/120/60 C/C

Gypsum, Masonry Or Concrete - Walls



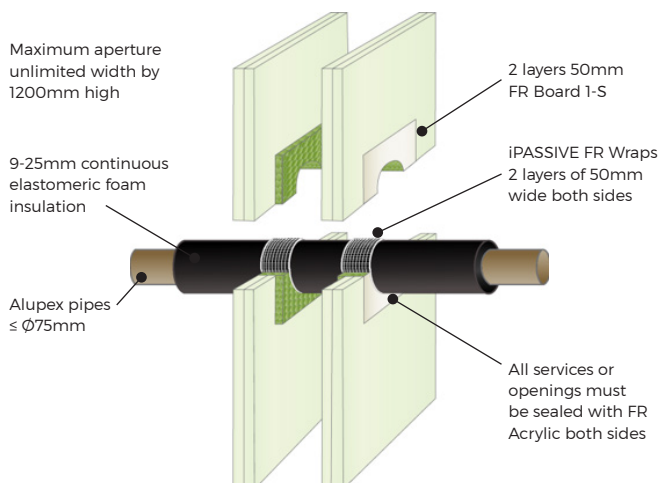
COPPER PIPES FIRE RESISTANCE -/120/120 C/C

Gypsum, Masonry Or Concrete - Walls



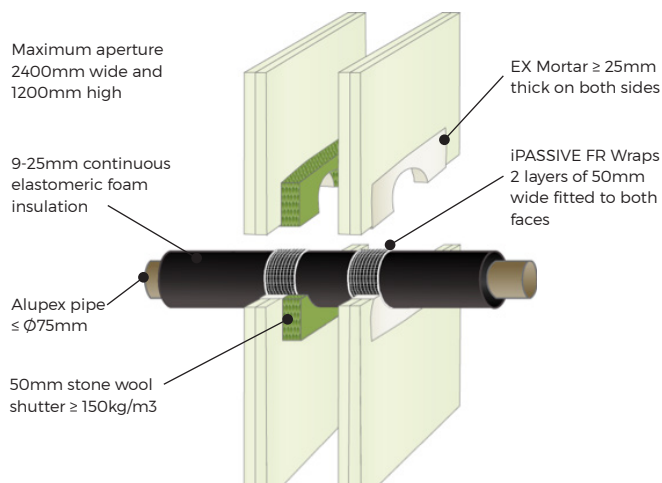
ALUPEX PIPES FIRE RESISTANCE -/120/120 C/U

Gypsum, Masonry Or Concrete - Walls

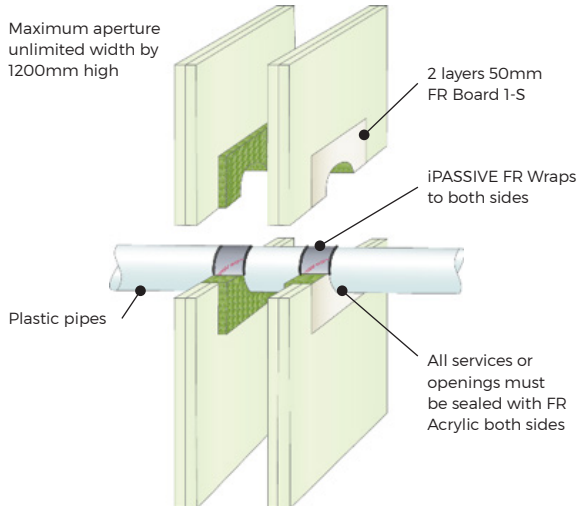


ALUPEX PIPES FIRE RESISTANCE -/120/120 C/C

Gypsum, Masonry Or Concrete - Walls

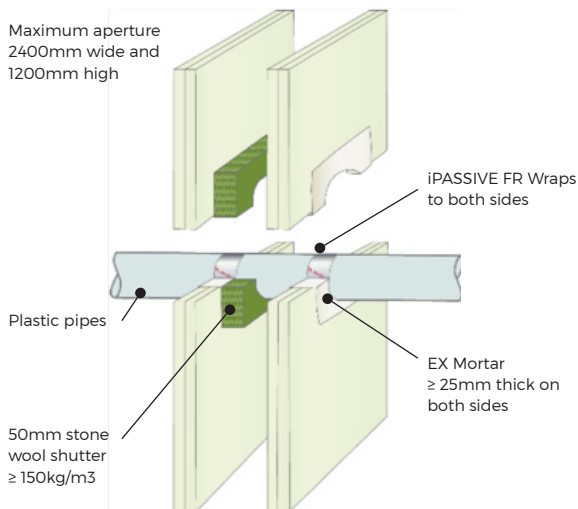


DETAIL DRAWINGS | IPASSIVE FR WRAP | WALLS



PLASTIC PIPES FIRE RESISTANCE -/90/90 TO -/120/120 Gypsum, Masonry Or Concrete - Walls

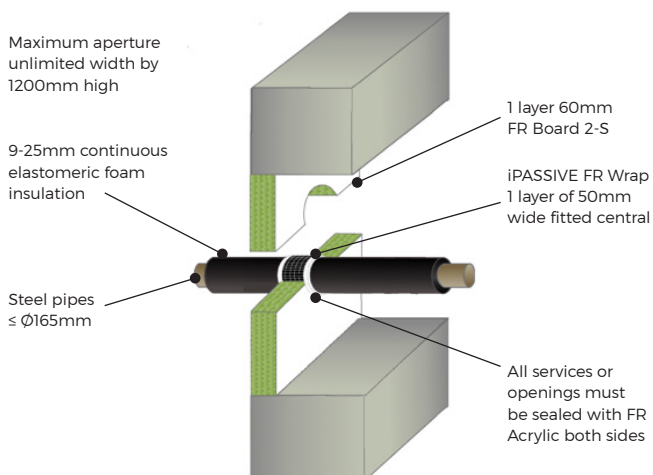
Services	Wrap	Classification
≤ Ø40mm PVC-U & PVC-C	50 x 1.8mm (1 layer)	-/120/120 U/U, C/U, U/C, C/C
≤ Ø40mm PE, ABS & SAN+PVC	50 x 1.8mm (1 layer)	-/120/120 U/U, C/U, U/C, C/C
≤ Ø40mm PP	50 x 1.8mm (1 layer)	-/120/120 U/U, C/U, U/C, C/C
Ø41-110mm PVC-U & PVC-C	50 x 3.6mm (2 layers)	-/120/120 U/C, C/C & -/90/90 U/C, C/C
Ø41-110mm PE, ABS & SAN+PVC	50 x 3.6mm (2 layers)	-/120/120 U/C, C/C & -/90/90 U/C, C/C
Ø41-110mm PP	50 x 3.6mm (2 layers)	-/90/90 U/U, C/U, U/C, C/C
Ø125mm PVC-U & PVC-C	50 x 5.4mm (3 layers)	-/120/120 U/C, C/C & -/90/90 U/C, C/C
Ø125mm PE, ABS & SAN+PVC	50 x 5.4mm (3 layers)	-/120/120 U/C, C/C & -/90/90 U/C, C/C
Ø125mm PP	50 x 5.4mm (3 layers)	-/120/120 U/C, C/C & -/90/90 U/C, C/C
Ø160mm PVC-U & PVC-C	50 x 7.2mm (4 layers)	-/120/120 U/C, C/C & -/90/90 U/C, C/C
Ø160mm PE, ABS & SAN+PVC	50 x 7.2mm (4 layers)	-/120/120 U/C, C/C & -/90/90 U/C, C/C
Ø160mm PP	50 x 7.2mm (4 layers)	-/120/120 U/C, C/C & -/90/90 U/C, C/C



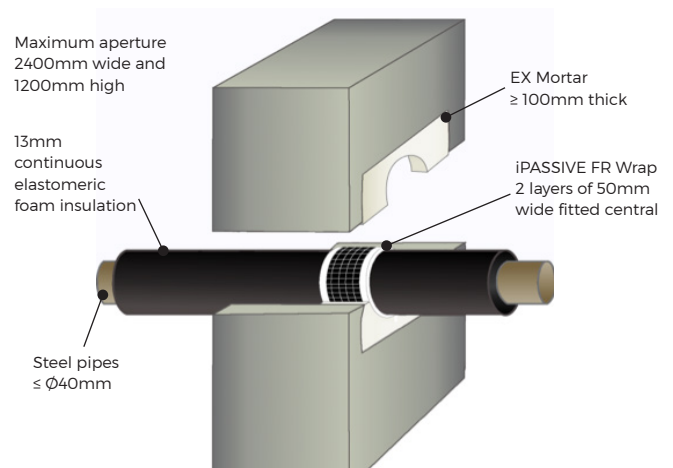
PLASTIC PIPES FIRE RESISTANCE -/60/60 TO -/120/120 Gypsum, Masonry Or Concrete - Walls

Services	Pipe Wall Thickness	Pipe Wrap	Classification
≤ Ø40mm PVC-U & PVC-C	3.0 - 4.3mm	50 x 1.8mm (1 layer)	-/120/60 U/C
≤ Ø40mm PE, ABS & SAN+PVC	3.2 - 3.7mm	50 x 1.8mm (1 layer)	-/120/120 U/C
≤ Ø40mm PP	4.0 - 5.5mm	50 x 1.8mm (1 layer)	-/120/120 U/C
≤ Ø110mm PVC-U & PVC-C	2.7 - 6.6mm	50 x 3.6mm (2 layers)	-/120/90 U/C
≤ Ø110mm PE, ABS & SAN+PVC	4.2 - 10.0mm	50 x 3.6mm (2 layers)	-/60/60 U/C
≤ Ø110mm PP	6.6mm	50 x 3.6mm (2 layers)	-/120/90 U/C
≤ Ø125mm PVC-U & PVC-C	3.7 - 7.4mm	50 x 5.4mm (3 layers)	-/120/120 U/C
≤ Ø125mm PE, ABS & SAN+PVC	12.0mm	50 x 5.4mm (3 layers)	-/120/120 U/C
≤ Ø125mm PP	17.1mm	50 x 5.4mm (3 layers)	-/120/90 U/C
≤ Ø160mm PVC-U & PVC-C	3.2 - 9.5mm	50 x 7.2mm (4 layers)	-/60/60 U/C
≤ Ø160mm PE, ABS & SAN+PVC	12.0mm	50 x 7.2mm (4 layers)	-/120/90 U/C
≤ Ø160mm PP	4.0 - 21.9mm	50 x 7.2mm (4 layers)	-/120/60 U/C

STEEL PIPES FIRE RESISTANCE -/120/30 C/U Masonry Or Concrete - Walls



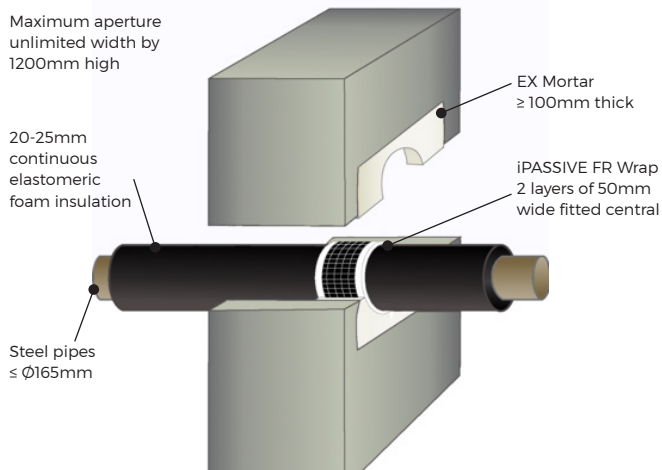
STEEL PIPES FIRE RESISTANCE -/240/240 C/U Masonry Or Concrete - Walls



DETAIL DRAWINGS | IPASSIVE FR WRAP | WALLS

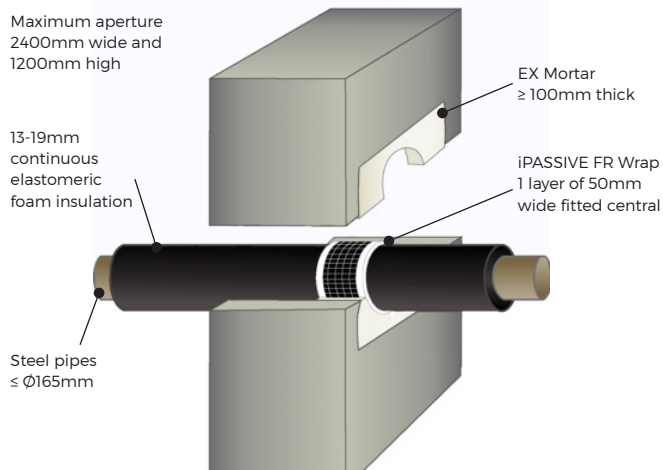
STEEL PIPES FIRE RESISTANCE -/180/60 C/U

Masonry Or Concrete - Wall

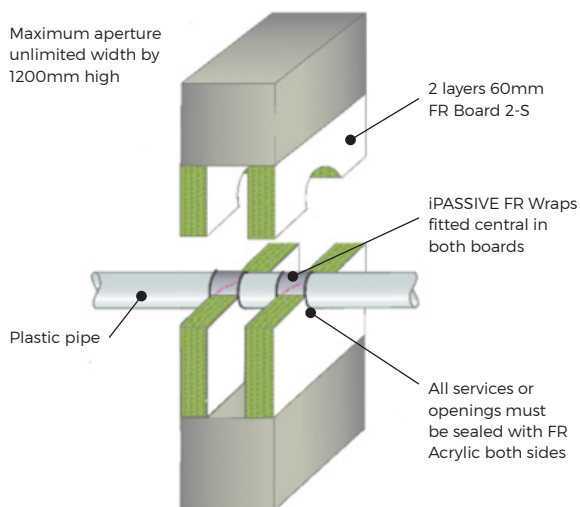


STEEL PIPES FIRE RESISTANCE -/240/60 C/U

Masonry Or Concrete - Walls



Maximum aperture unlimited width by 1200mm high



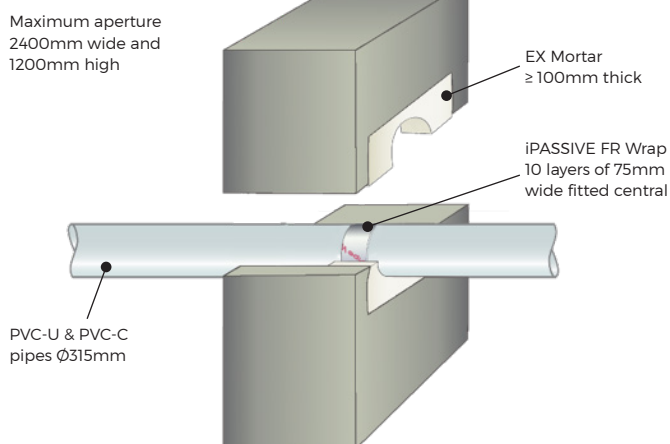
PLASTIC PIPES FIRE RESISTANCE -/240/240

Gypsum, Masonry Or Concrete - Walls

Services	Wrap	Classification
≤ Ø40mm PVC-U & PVC-C	50 x 1.8mm (1 layer)	-/240/240 C/C, U/C
≤ Ø40mm PE, ABS & SAN+PVC	50 x 1.8mm (1 layer)	-/240/240 C/C, U/C
≤ Ø40mm PP	50 x 1.8mm (1 layer)	-/240/240 C/C, U/C
Ø41-110mm PVC-U & PVC-C	50 x 3.6mm (2 layers)	-/240/240 C/C, U/C
Ø41-110mm PE, ABS & SAN+PVC	50 x 3.6mm (2 layers)	-/240/240 C/C, U/C
Ø41-110mm PP	50 x 3.6mm (2 layers)	-/240/240 C/C
Ø111-125mm PVC-U & PVC-C	50 x 7.2mm (4 layers)	-/240/240 C/C, U/C
Ø111-125mm PE, ABS & SAN+PVC	50 x 7.2mm (4 layers)	-/240/240 C/C, U/C
Ø111-125mm PP	50 x 7.2mm (4 layers)	-/240/240 C/C
Ø126-160mm PVC-U & PVC-C	50 x 10.8mm (6 layers)	-/240/240 C/C, U/C
Ø126-160mm PE, ABS & SAN+PVC	50 x 10.8mm (6 layers)	-/240/240 C/C, U/C
Ø126-160mm PP	50 x 10.8mm (6 layers)	-/240/240 C/C

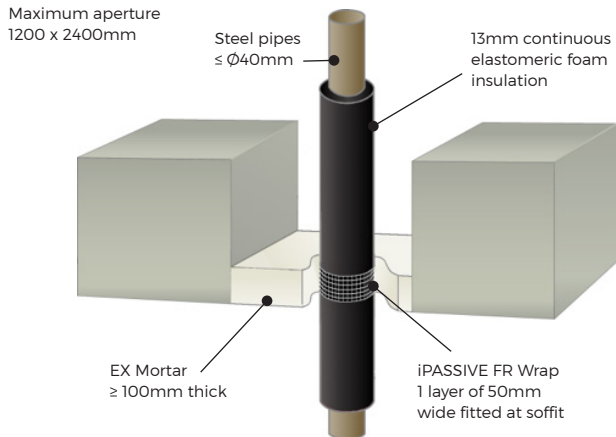
PLASTIC PIPES FIRE RESISTANCE -/120/120 C/C

Masonry Or Concrete - Wall

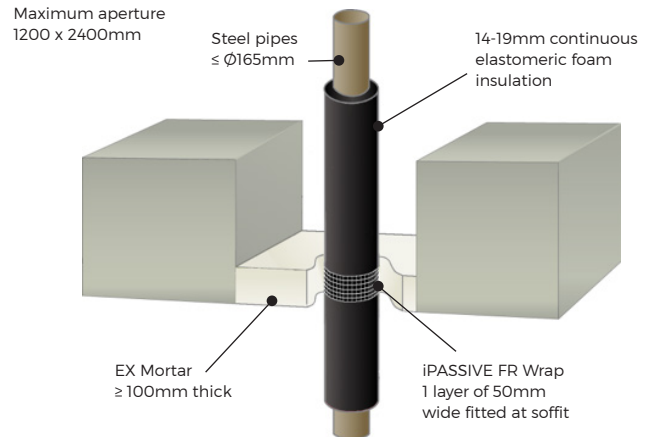


DETAIL DRAWINGS | IPASSIVE FR WRAP | FLOORS

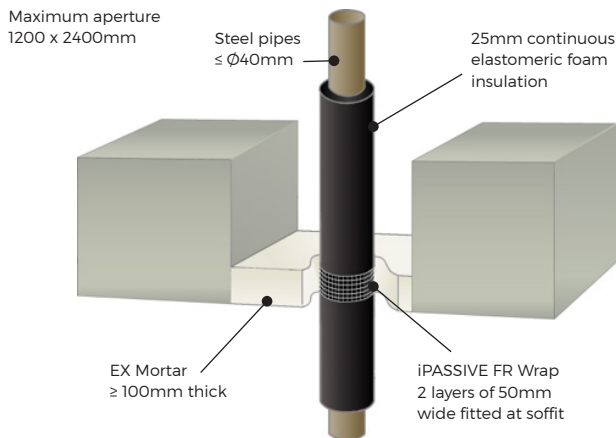
STEEL PIPES FIRE RESISTANCE -/180/180 C/U Rigid Floors



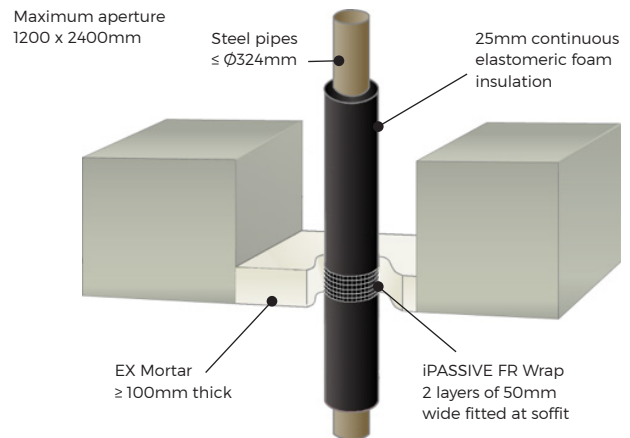
STEEL PIPES FIRE RESISTANCE -/180/120 C/U Rigid Floors



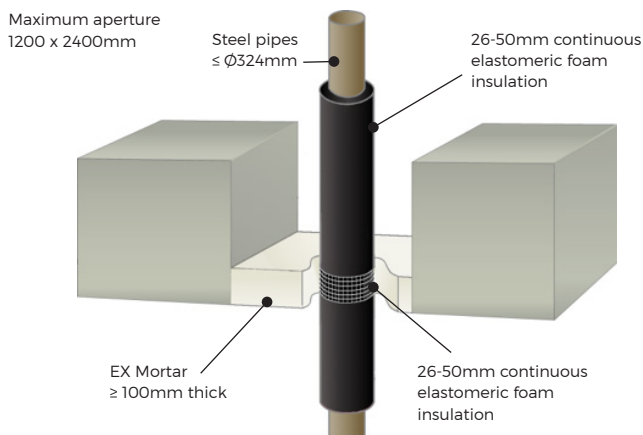
STEEL PIPES FIRE RESISTANCE -/180/180 C/U Rigid Floors



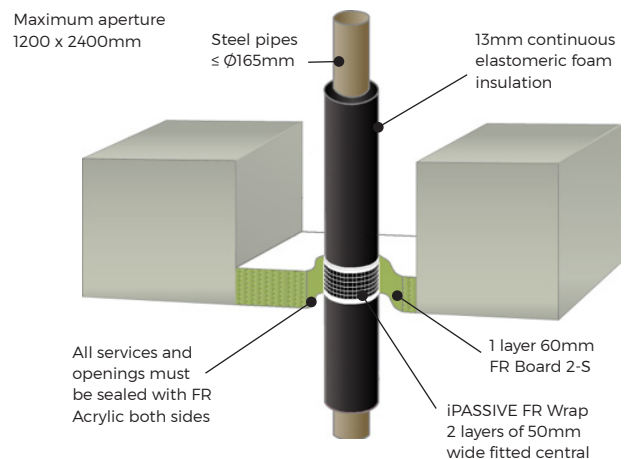
STEEL PIPES FIRE RESISTANCE -/180/120 C/U Rigid Floors



STEEL PIPES FIRE RESISTANCE -/120/120 C/U Rigid Floors

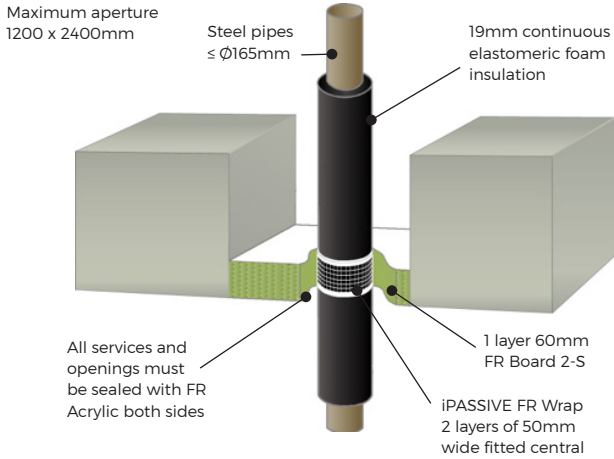


STEEL PIPES FIRE RESISTANCE -/90/30 C/U Rigid Floors

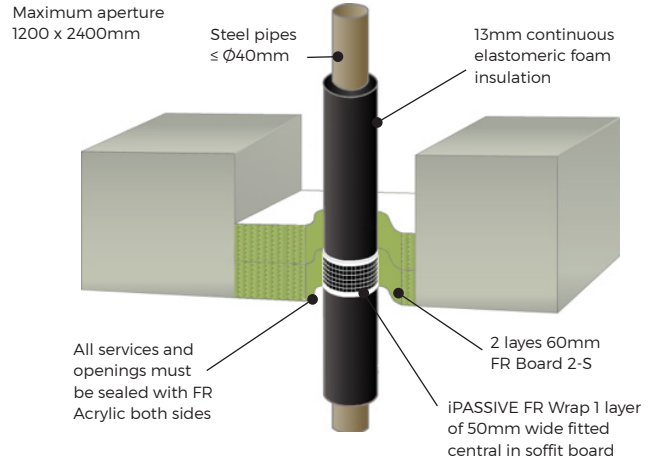


DETAIL DRAWINGS | IPASSIVE FR WRAP | FLOORS

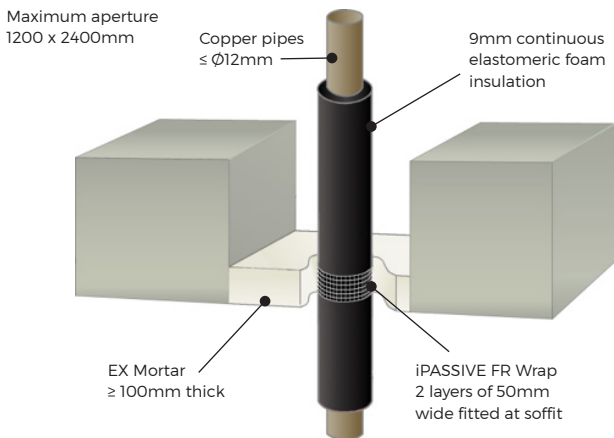
STEEL PIPES FIRE RESISTANCE -/90/90 C/U Rigid Floors



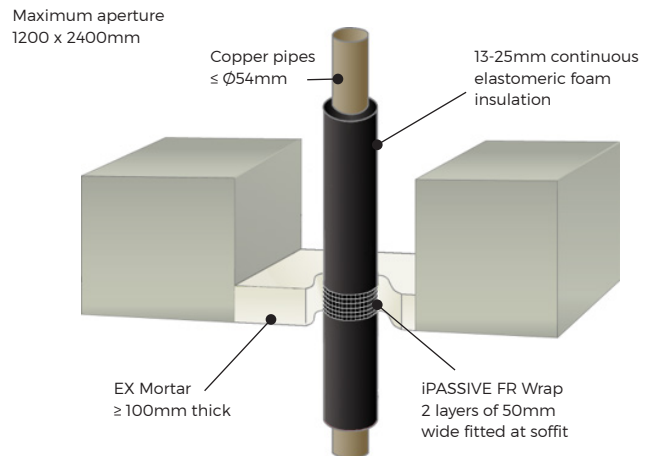
STEEL PIPES FIRE RESISTANCE -/180/120 C/U Rigid Floors



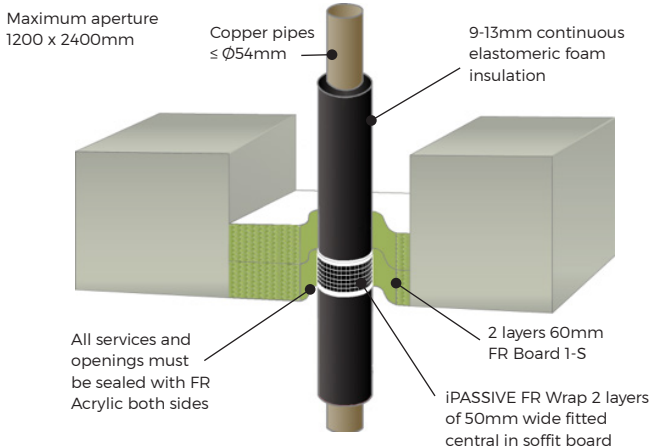
COPPER PIPES FIRE RESISTANCE -/240/240 C/C Rigid Floors



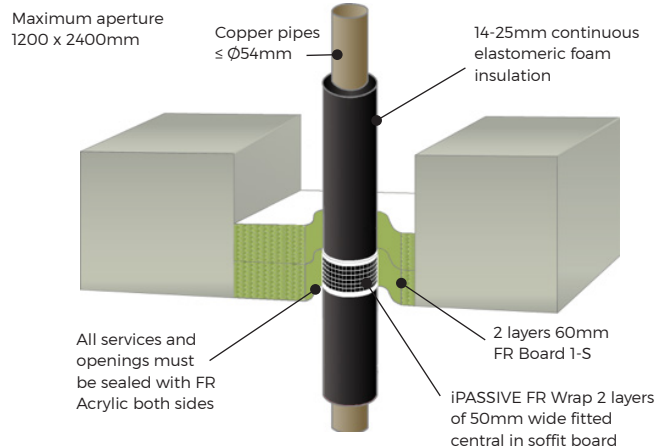
COPPER PIPES FIRE RESISTANCE -/240/60 C/C Rigid Floors



COPPER PIPES FIRE RESISTANCE -/240/60 C/U Rigid Floors

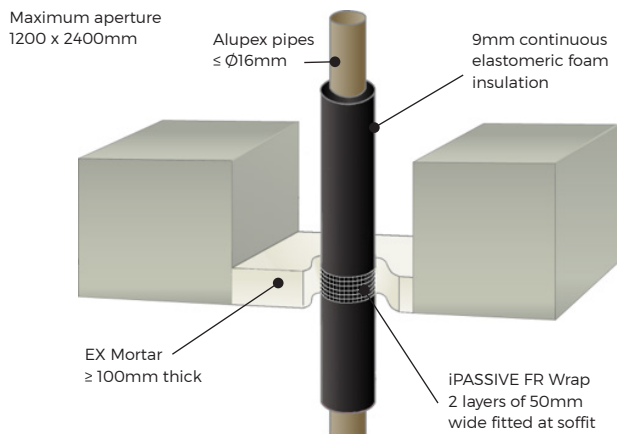


COPPER PIPES FIRE RESISTANCE -/180/30 C/C Rigid Floors

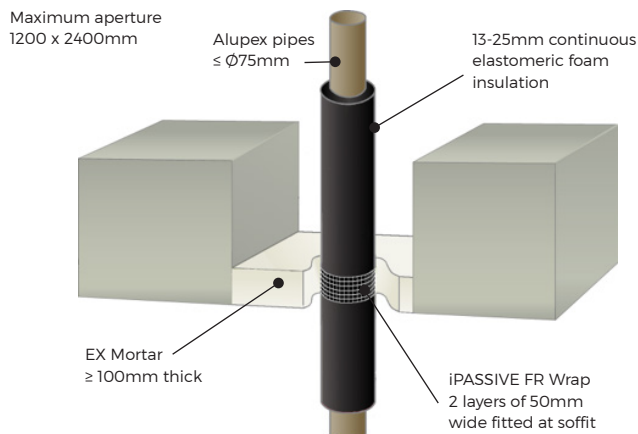


DETAIL DRAWINGS | IPASSIVE FR WRAP | FLOORS

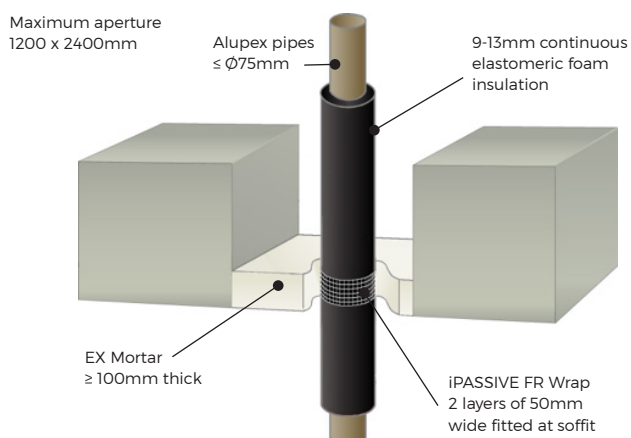
ALUPEX PIPES FIRE RESISTANCE -/240/240 C/C Rigid Floors



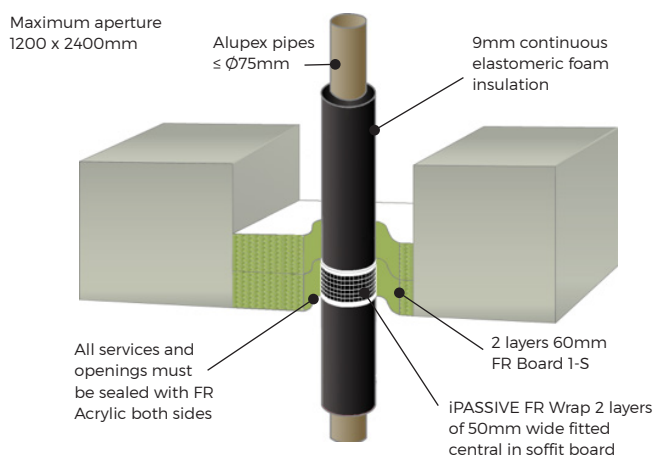
ALUPEX PIPES FIRE RESISTANCE -/180/90 C/C Rigid Floors



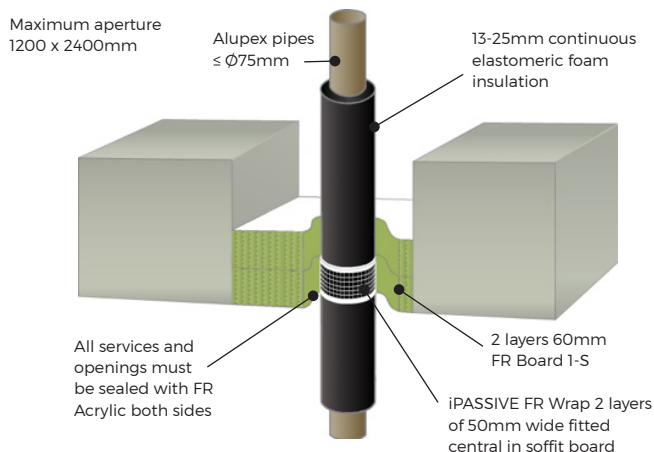
ALUPEX PIPES FIRE RESISTANCE -/240/90 C/C Rigid Floors



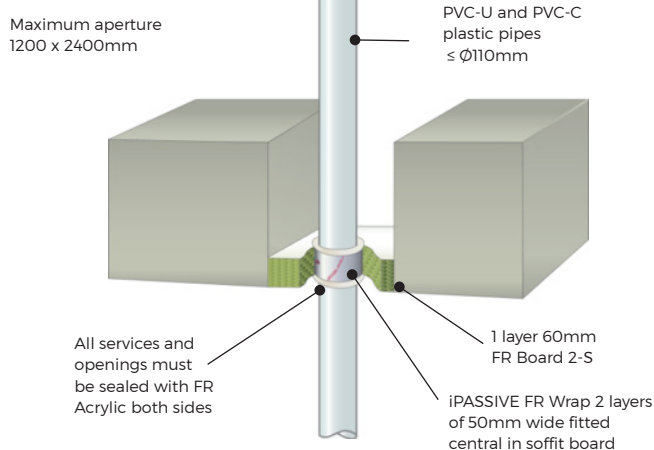
ALUPEX PIPES FIRE RESISTANCE -/120/120 C/C Rigid Floors



ALUPEX PIPES FIRE RESISTANCE -/60/30 C/C Rigid Floors

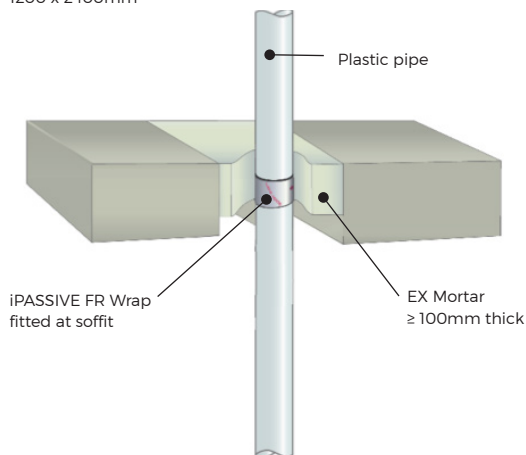


PLASTIC PIPES FIRE RESISTANCE -/90/90 U/C Rigid Floors



DETAIL DRAWINGS | IPASSIVE FR WRAP | FLOORS

Maximum aperture
1200 x 2400mm

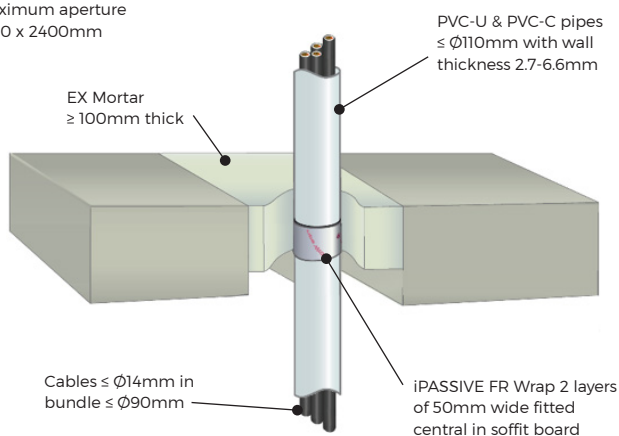


PLASTIC PIPES FIRE RESISTANCE -/120/120 TO -/240/240 Rigid Floors

Services	Pipe Wall Thickness	Wrap	Classification
≤ Ø40mm PVC-U & PVC-C	1.8 – 3.7mm	50 x 1.8mm (1 layer)	-/180/120 U/U
≤ Ø40mm PE, ABS & SAN+PVC	2.4 – 3.7mm	50 x 1.8mm (1 layer)	-/240/240 U/U
≤ Ø40mm PP	1.8 – 5.5mm	50 x 1.8mm (1 layer)	-/120/120 U/U
≤ Ø110mm PVC-U & PVC-C	3.0 – 6.6mm	50 x 3.6mm (2 layers)	-/240/240 U/C
≤ Ø110mm PE, ABS & SAN+PVC	3.4 – 10.0mm	50 x 3.6mm (2 layers)	-/120/120 U/C
≤ Ø110mm PP	2.7 – 6.3mm	50 x 3.6mm (2 layers)	-/240/240 U/C
≤ Ø125mm PVC-U & PVC-C	3.5 – 7.4mm	50 x 7.2mm (4 layers)	-/120/120 U/C
≤ Ø125mm PE, ABS & SAN+PVC	3.9 – 11.4mm	50 x 7.2mm (4 layers)	-/240/240 U/C
≤ Ø125mm PP	3.4 – 11.4mm	50 x 7.2mm (4 layers)	-/240/240 U/C
≤ Ø160mm PVC-U & PVC-C	4.5mm	50 x 10.8mm (6 layers)	-/240/240 C/C
≤ Ø160mm PE, ABS & SAN+PVC	4.9 – 14.6mm	50 x 10.8mm (6 layers)	-/120/120 U/C
≤ Ø160mm PP	4.9 – 14.6mm	50 x 10.8mm (6 layers)	-/240/240 U/C
≤ Ø250mm PE, ABS & SAN+PVC	7.8mm	75 x 12.6mm (7 layers)	-/180/180 C/C

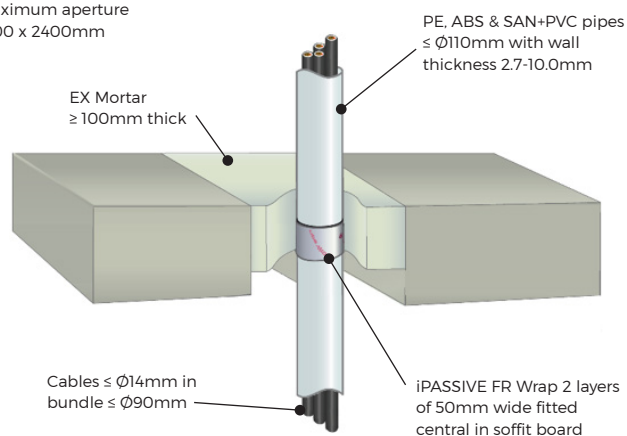
PLASTIC PIPES W/CABLES FIRE RESISTANCE -/120/120 U/C Rigid Floors

Maximum aperture
1200 x 2400mm



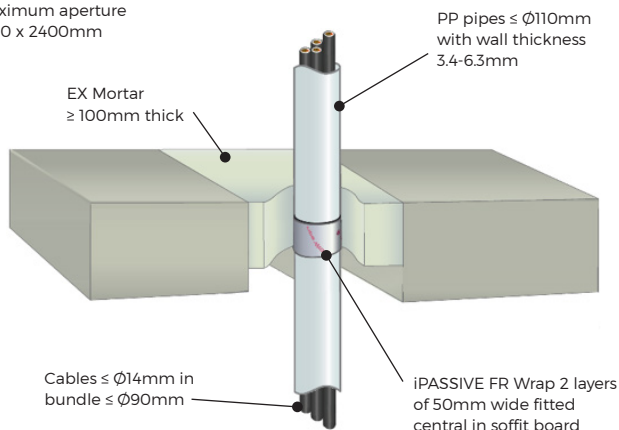
STEEL PIPES FIRE RESISTANCE -/120/60 U/C Rigid Floors

Maximum aperture
1200 x 2400mm



STEEL PIPES FIRE RESISTANCE -/60/60 U/C Rigid Floors

Maximum aperture
1200 x 2400mm



DISCLAIMER:

As a part of our policy of on-going product development and testing, we reserve the right to modify, alter or change product specifications without giving notice. All information contained in this document is given in good faith and is provided for guidance only. Any drawings provided are for illustrative purposes only. As iPASSIVE has no control over the methods or competence of installation and of prevailing site conditions, no warranties, expressed or implied, are intended to be given as to the actual performance of the product mentioned or referred to herein and no liability whatsoever will be accepted for any loss, damage or injury arising from the use of the information given.