

INDEX FOR FIRE RATINGS

Cables in floors	P. 2
Steel pipes in floors	P. 2-3
Copper pipes in floors	P. 3-4
Cables in drywalls, masonry or concrete walls	P. 4
Steel pipes in drywalls, masonry or concrete walls	P. 4-5
Copper pipes in drywalls, masonry or concrete walls	P. 5
Alupex pipes in drywalls, masonry or concrete walls	P. 6

GENERAL PRODUCT DESCRIPTION

iPASSIVE FR Putty Cord is an easy to apply fire rated putty supplied as a non-setting cord. The cord is hand workable, re-useable and re-serviceable due to its non-setting properties.

The putty cord is designed to be easily fitted around service penetrations where the gap around the services is very small, or there is no gaps at all so a conventional fire rated sealant is impossible or difficult to fit due to the required depth and backing material.

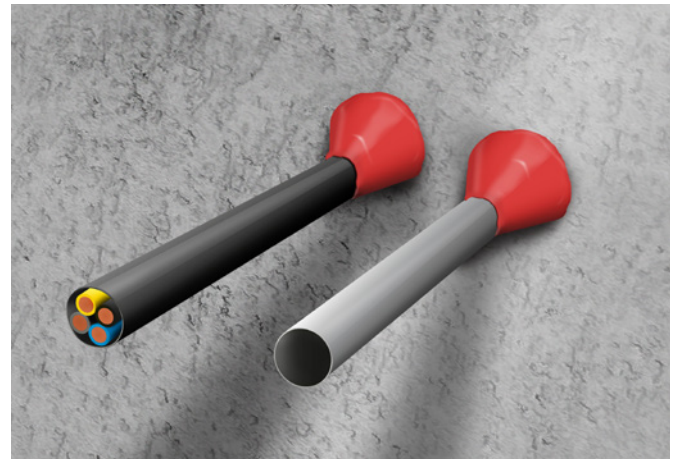
The putty cords are fitted covering the gap around the services and does not need to fill the gap to the required depth. Fitting the putty cords will reinstate the fire rating of the partition and prevent the passage of smoke and flames in a fire, and sound and air movement during service life.

iPASSIVE FR Putty Cords are supplied in circular strips and are easy to fit with your thumbs; no tools are needed.

GENERAL GUIDE

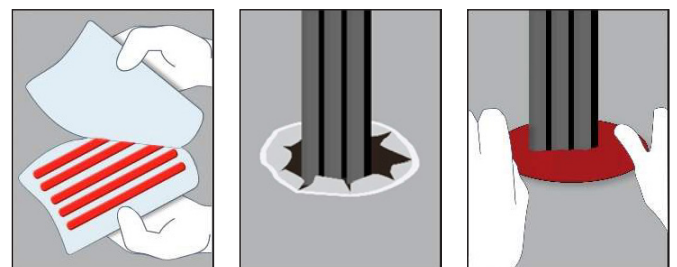
Minimum separations and limitations: Services can be sealed as specified in the detailed drawings. The product may be used to seal gaps between 0 mm and 10 mm surrounding services. Minimum separation between apertures should be at least 30 mm. For larger joint dimensions or apertures other than described in the detailed drawings, iPASSIVE FR Acrylic, FR Board or EX Mortar should be used. In areas with a high degree of humidity and/or in joints with excessive movement, iPASSIVE FR IPT or FR Board should be used.

Supporting constructions: Flexible walls must have a minimum thickness of 100 mm and comprise steel studs or timber studs*) lined on both faces with minimum 2 layers of 12.5 mm thick boards. Rigid walls must have a minimum thickness of 100 mm and comprise concrete, aerated concrete or masonry, with a minimum density of 650 kg/m³. Rigid floors must have a minimum thickness of 150 mm and comprise aerated concrete or concrete with a minimum density of 650 kg/m³. The supporting construction must be otherwise tested or assessed to achieve the required FRL of the penetration seal in accordance with AS1530.4 -2014.



INSTALLATION INSTRUCTIONS

1. Before installing iPASSIVE FR Putty Cord ensure that the surface of all service penetrations and surrounding construction is wiped clean, dry, free from all loose contaminants, dust, oils and grease.
2. Where iPASSIVE FR Putty Cord is to be installed against surfaces that cannot tolerate direct contact; appropriate surface preparation should be made. For paints sensitive to sealing compounds, priming with a PVA primer is recommended.
3. As iPASSIVE FR Putty Cord is water based, in cases where corrosion protection is a problem; some metals may require a barrier between the putty and the metal surface prior to this installation.
4. When installing iPASSIVE FR Putty Cord in hollow floor slabs or boards, fire seals should be installed from the soffit side of the floor assuming this product certification covers the application. Where this is not the case and only top-sided applications are approved, simply fire seal on both sides.
5. Place the Putty Cord around the services so that it seals the services to the wall or floor all the way round.
6. Press the Putty Cord into the wall or floor and services with your thumbs to form a fillet or V shape joint, ensuring good contact is made all the way round the services and the wall or floor..



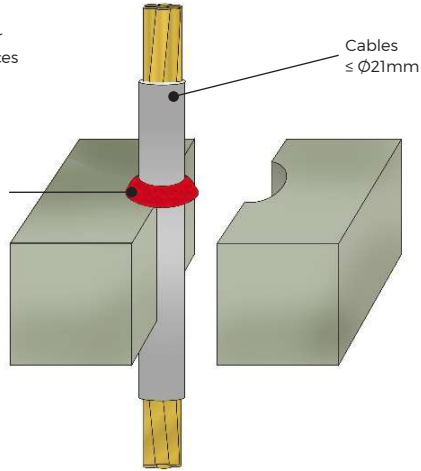
DETAIL DRAWINGS | IPASSIVE FR PUTTY CORD | FLOORS

CABLES FIRE RESISTANCE -/120/120

Rigid Floors

Apertures with less than 10mm annular width around services

FR Putty Cord on top side oversailing the aperture

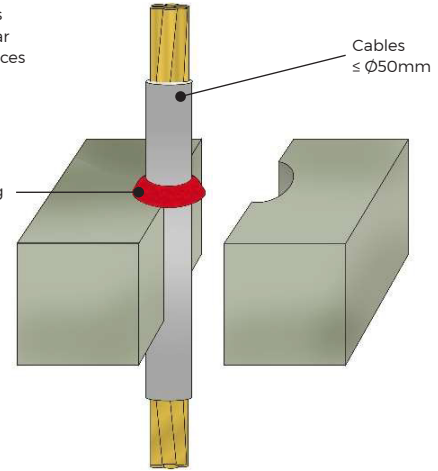


CABLES FIRE RESISTANCE -/120/90

Rigid Floors

Apertures with less than 10mm annular width around services

FR Putty Cord on top side oversailing the aperture

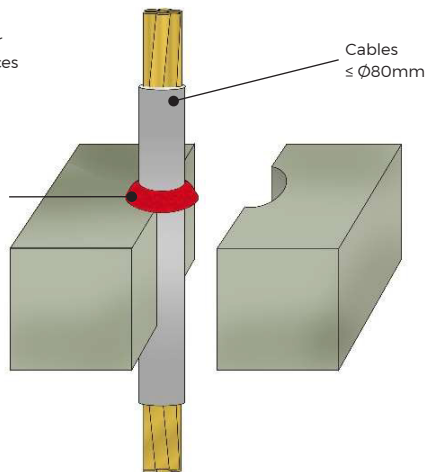


CABLES FIRE RESISTANCE -/120/60

Rigid Floors

Apertures with less than 10mm annular width around services

FR Putty Cord on top side oversailing the aperture

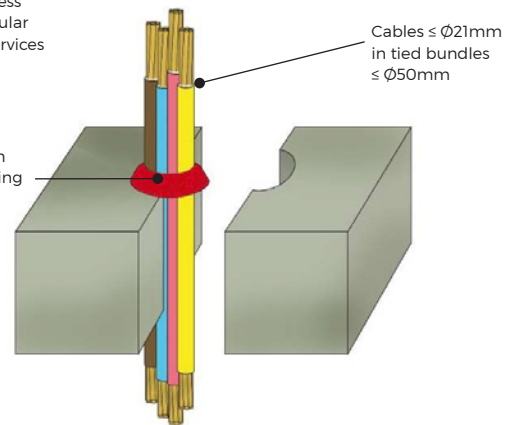


CABLES FIRE RESISTANCE -/120/60

Rigid Floors

Apertures with less than 10mm annular width around services

FR Putty Cord on top side oversailing the aperture

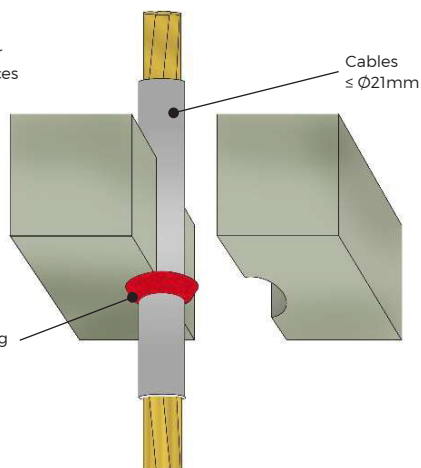


CABLES FIRE RESISTANCE -/120/60

Rigid Floors

Apertures with less than 10mm annular width around services

FR Putty Cord on soffit side oversailing the aperture

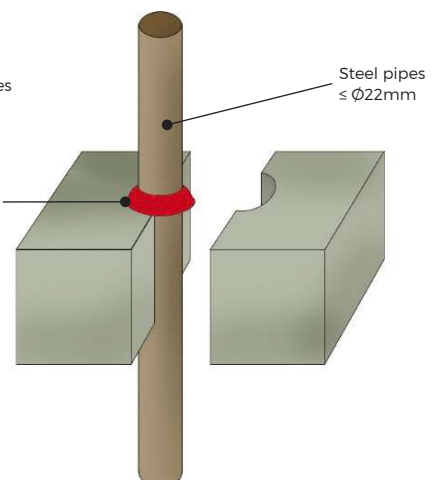


STEEL PIPES FIRE RESISTANCE -/120/120 C/U

Rigid Floors

Apertures with less than 10mm annular width around services

FR Putty Cord on top side oversailing the aperture

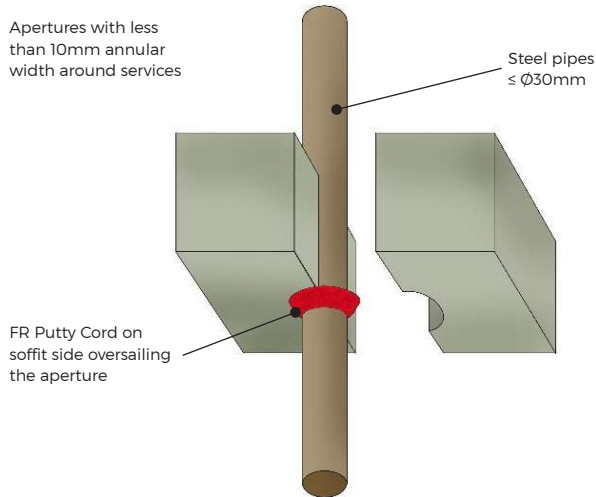


DETAIL DRAWINGS | IPASSIVE FR PUTTY CORD | FLOORS

STEEL PIPES FIRE RESISTANCE -/120/30 C/U

Rigid Floors

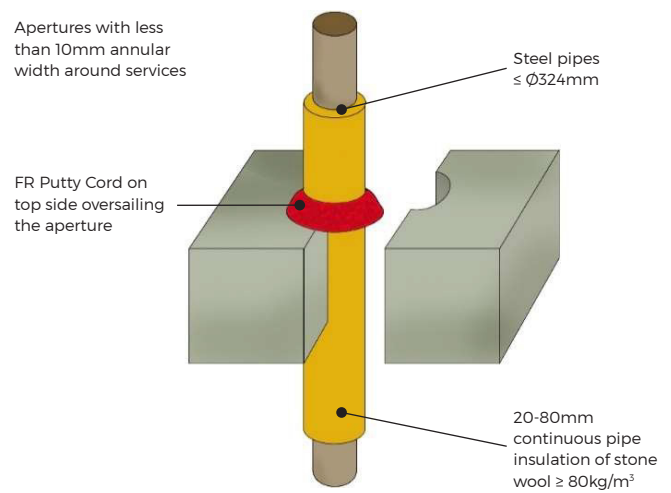
Apertures with less than 10mm annular width around services



STEEL PIPES FIRE RESISTANCE -/240/240 C/U

Rigid Floors

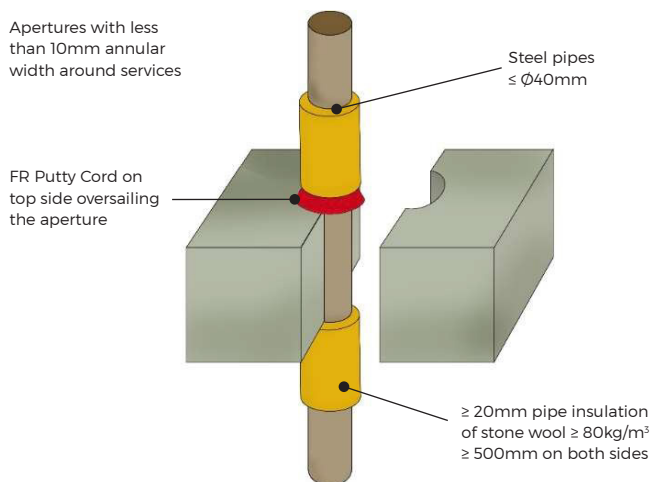
Apertures with less than 10mm annular width around services



STEEL PIPES FIRE RESISTANCE -/240/240 C/U

Rigid Floors

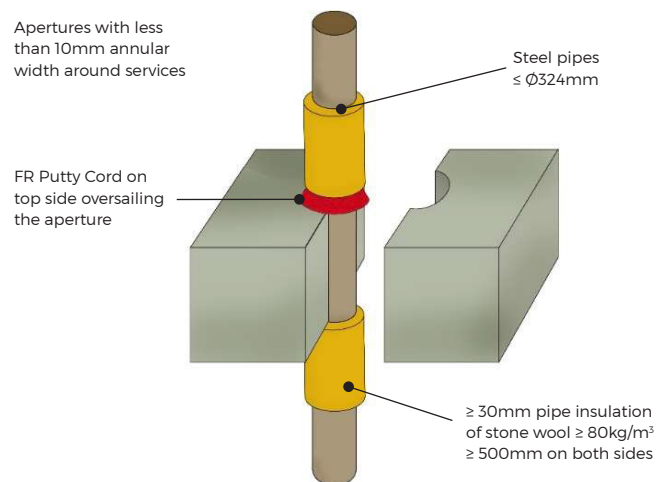
Apertures with less than 10mm annular width around services



STEEL PIPES FIRE RESISTANCE -/240/60 C/U

Rigid Floors

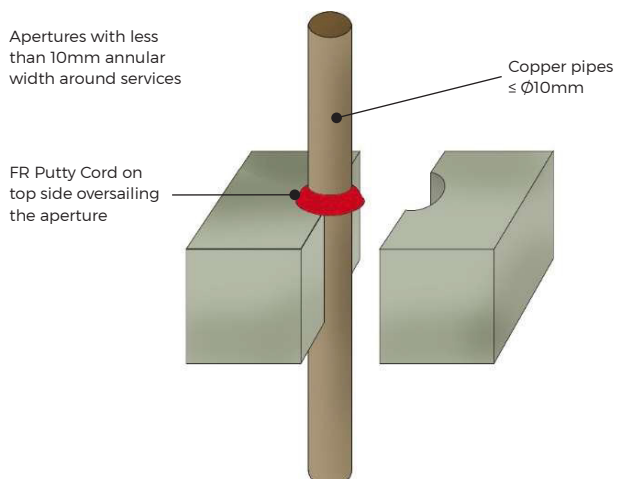
Apertures with less than 10mm annular width around services



COPPER PIPES FIRE RESISTANCE -/120/90 C/C

Rigid Floors

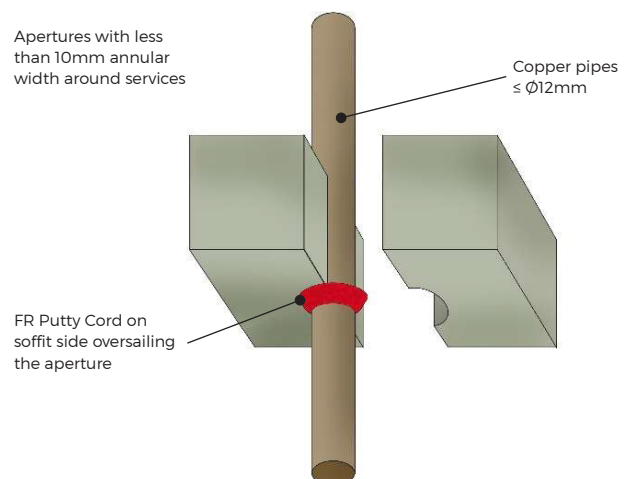
Apertures with less than 10mm annular width around services



COPPER PIPES FIRE RESISTANCE -/120/30 C/C

Rigid Floors

Apertures with less than 10mm annular width around services



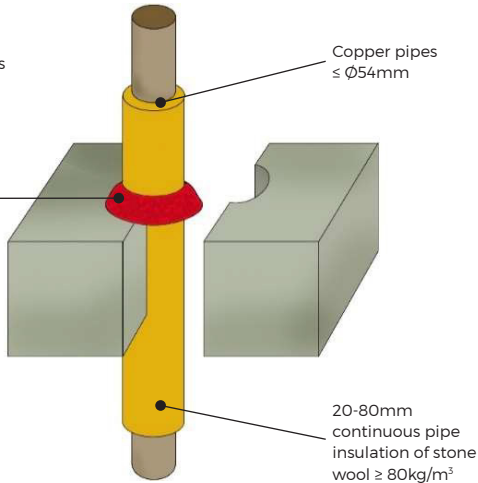
DETAIL DRAWINGS | IPASSIVE FR PUTTY CORD | FLOORS & WALLS

COPPER PIPES FIRE RESISTANCE -/240/240 C/C

Rigid Floors

Apertures with less than 10mm annular width around services

FR Putty Cord on top side oversailing the aperture

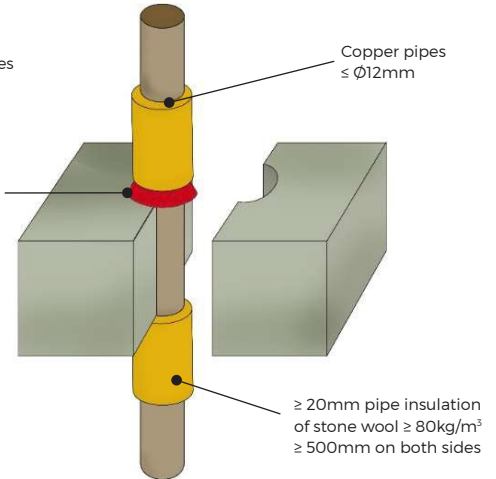


COPPER PIPES FIRE RESISTANCE -/240/240 C/C

Rigid Floors

Apertures with less than 10mm annular width around services

FR Putty Cord on top side oversailing the aperture

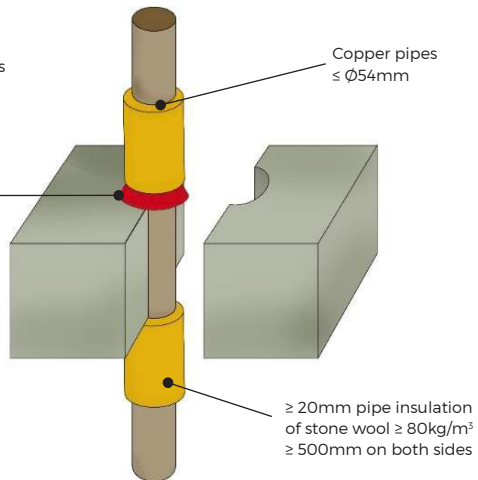


COPPER PIPES FIRE RESISTANCE -/240/60 C/C

Rigid Floors

Apertures with less than 10mm annular width around services

FR Putty Cord on top side oversailing the aperture

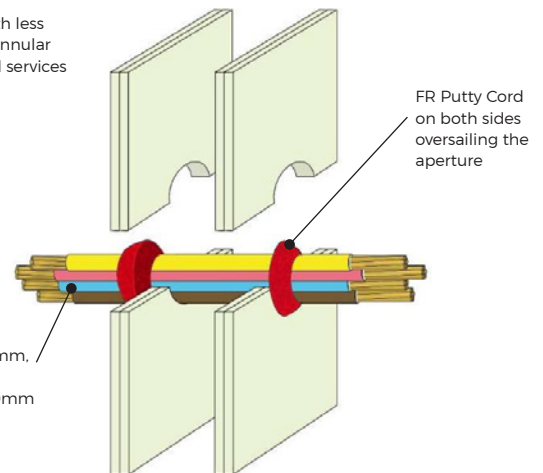


CABLES FIRE RESISTANCE -/120/120

Gypsum, Masonry or Concrete - Walls

Apertures with less than 10mm annular width around services

Cables ≤ Ø21mm, single or in a bundle ≤ Ø50mm

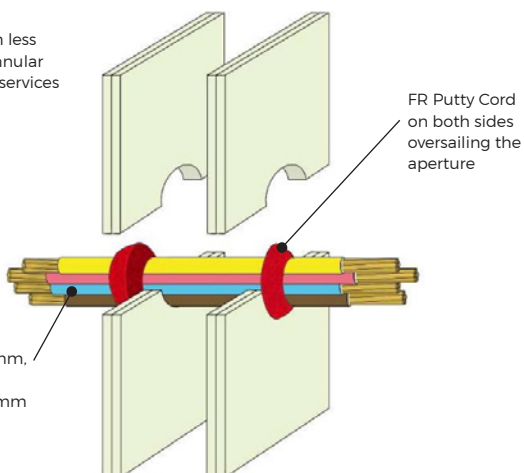


CABLES FIRE RESISTANCE -/60/60

Gypsum, Masonry or Concrete - Walls

Apertures with less than 10mm annular width around services

Cables ≤ Ø80mm, single or in a bundle ≤ Ø50mm

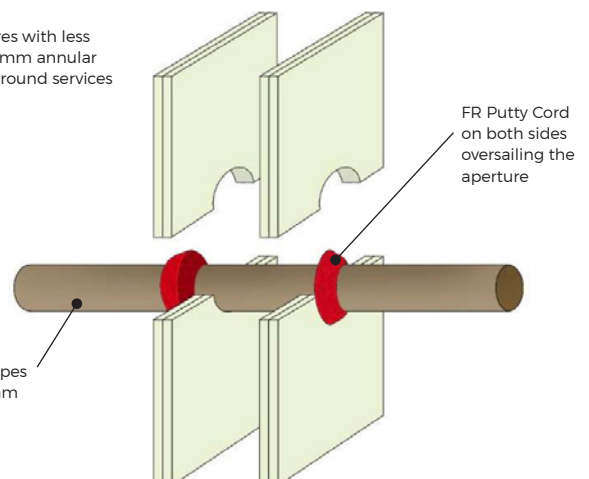


STEEL PIPES FIRE RESISTANCE -/120/60 C/U

Gypsum, Masonry or Concrete - Walls

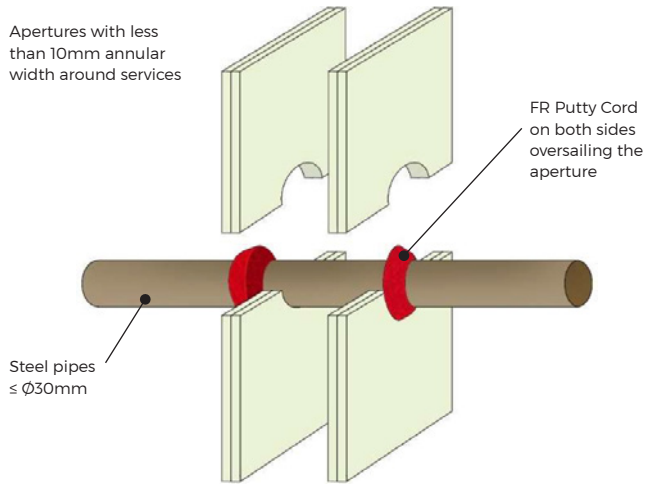
Apertures with less than 10mm annular width around services

Steel pipes ≤ Ø22mm

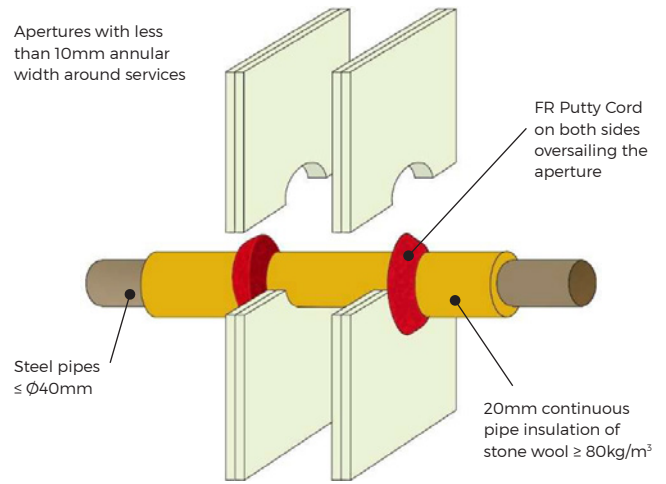


DETAIL DRAWINGS | IPASSIVE FR PUTTY CORD | WALLS

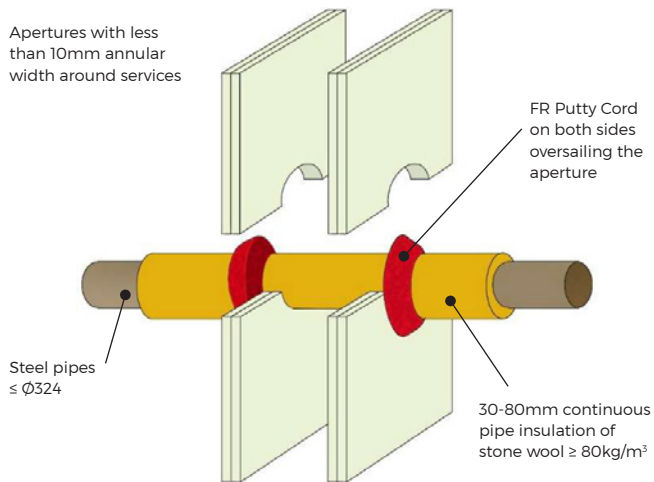
STEEL PIPES FIRE RESISTANCE -/120/30 C/U Gypsum, Masonry or Concrete - Walls



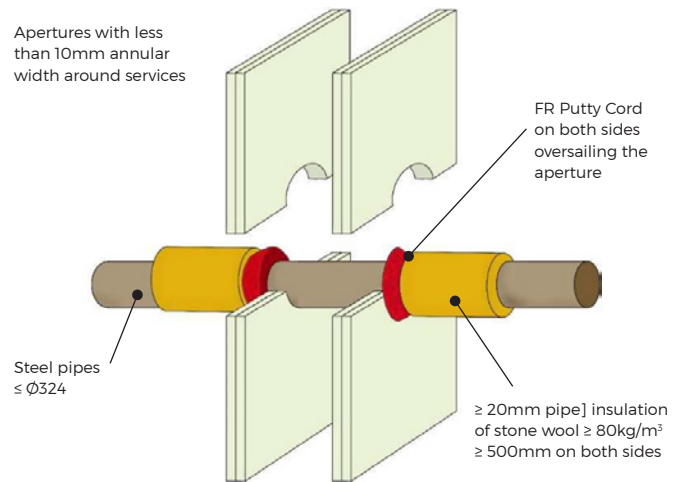
STEEL PIPES FIRE RESISTANCE -/120/120 C/U Gypsum, Masonry or Concrete - Walls



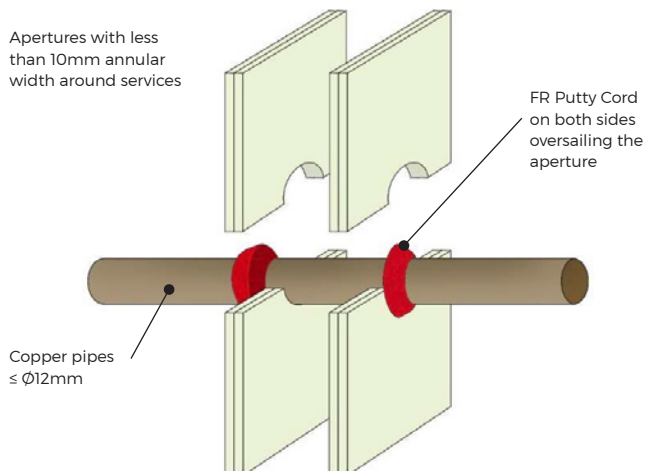
STEEL PIPES FIRE RESISTANCE -/90/60 C/U Gypsum, Masonry or Concrete - Walls



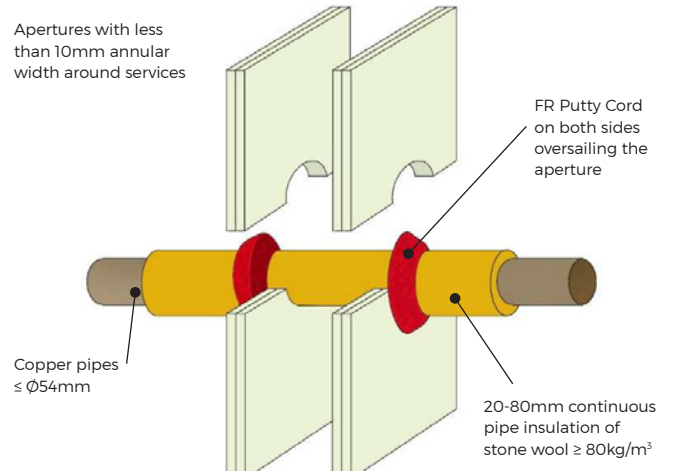
STEEL PIPES FIRE RESISTANCE -/120/120 C/U Gypsum, Masonry or Concrete - Walls



COPPER PIPES FIRE RESISTANCE -/120/60 C/C Gypsum, Masonry or Concrete - Walls



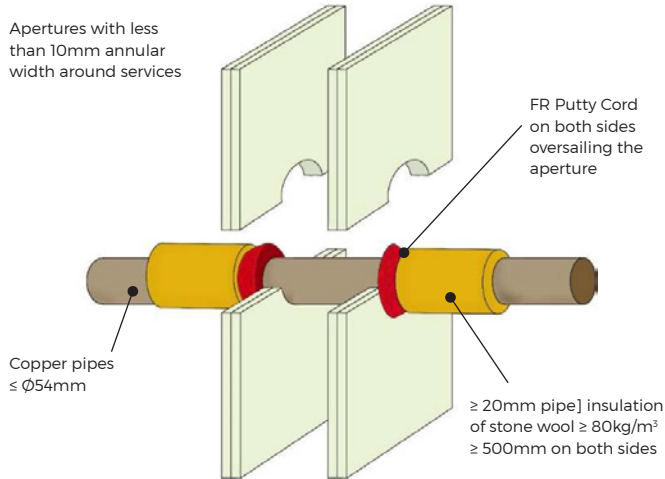
COPPER PIPES FIRE RESISTANCE -/90/60 C/C Gypsum, Masonry or Concrete - Walls



DETAIL DRAWINGS | IPASSIVE FR PUTTY CORD | WALLS

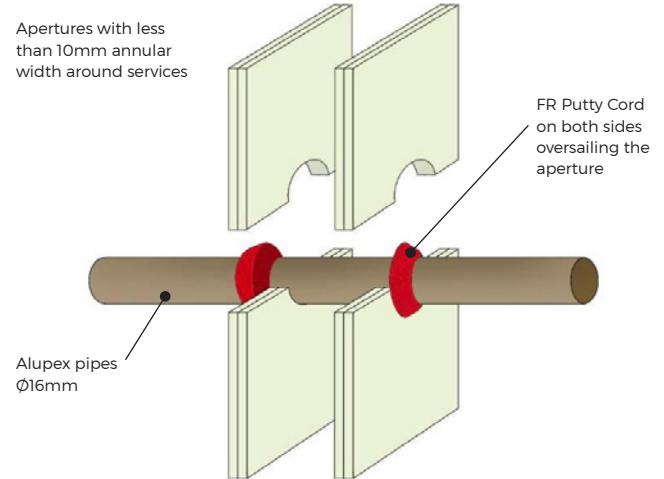
COPPER PIPES FIRE RESISTANCE -/90/60 C/C

Gypsum, Masonry or Concrete - Walls



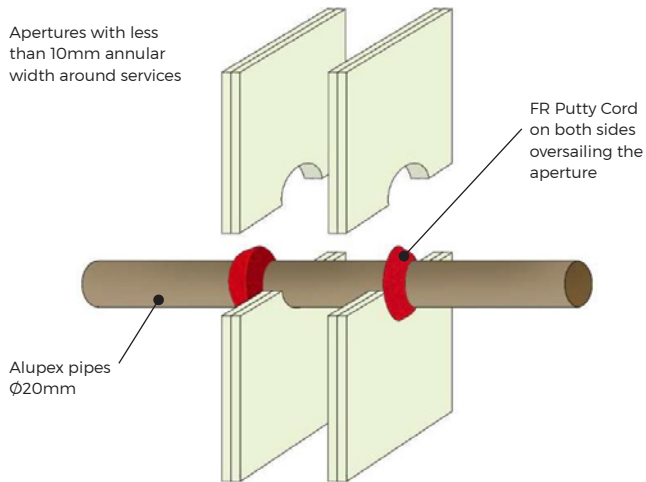
ALUPEX PIPES FIRE RESISTANCE -/120/120 C/C

Gypsum, Masonry or Concrete - Walls



ALUPEX PIPES FIRE RESISTANCE -/120/90 C/C

Gypsum, Masonry or Concrete - Walls



DISCLAIMER:

As a part of our policy of on-going product development and testing, we reserve the right to modify, alter or change product specifications without giving notice. All information contained in this document is given in good faith and is provided for guidance only. Any drawings provided are for illustrative purposes only. As iPASSIVE has no control over the methods or competence of installation and of prevailing site conditions, no warranties, expressed or implied, are intended to be given as to the actual performance of the product mentioned or referred to herein and no liability whatsoever will be accepted for any loss, damage or injury arising from the use of the information given.