

INDEX FOR FIRE RATINGS

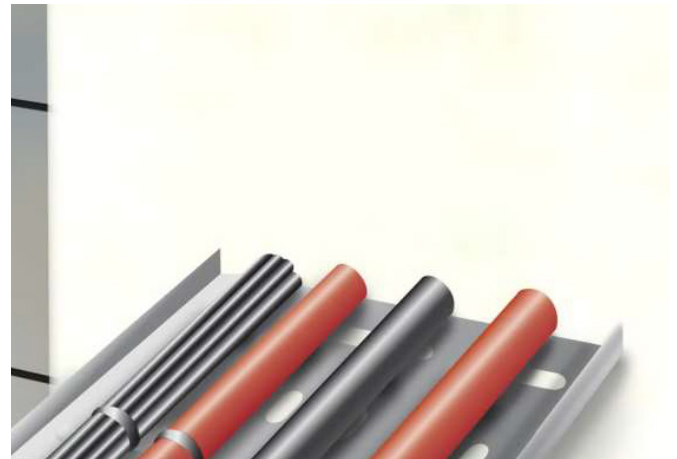
Cables in floors	P. 2
Cables and trays in gypsum, masonry or concrete walls	P. 2
Steel pipes in gypsum, masonry or concrete walls	P. 2-4
Copper pipes in gypsum, masonry or concrete walls.....	P. 4-5
Alupex pipes in gypsum, masonry or concrete walls.....	P. 5-6
Plastic pipes in gypsum, masonry or concrete walls.....	P. 6-7
Cables and cable trays in masonry or concrete walls.....	P. 7-9
Steel pipes in masonry or concrete walls.....	P.9-11
Copper pipes in masonry or concrete walls.....	P. 11
Alupex pipes in masonry or concrete walls.....	P. 12
Plastic pipes in masonry or concrete walls.....	P. 12
Cables and cable trays in floors.....	P. 13
Steel pipes in floors.....	P. 13-15
Copper pipes in floors.....	P. 15-16
Alupex pipes in floors.....	P. 16-17
Plastic pipes in floors.....	P. 17

GENERAL PRODUCT DESCRIPTION

iPASSIVE FR Board has been designed to maintain the fire resistance of separating walls and floors where they are breached by single or multiple building services. The board consists of a stone wool core, sealed with iPASSIVE FR Coating on 1 or both faces. The coating provides an important barrier to the passage of fire, smoke and hot gases through the thickness of the board, reducing the rate at which the stone wool core heats up and thus provides a better heat sink for the dissipation of conducted heat through penetrations with higher thermal conductivity. Selection of the board coated on 1 or both faces is determined by installation considerations and fire resistance requirements. When installed on site, iPASSIVE FR Board should be used with iPASSIVE FR Acrylic or iPASSIVE FR ASF for sealing around service penetrations and the adjacent separating construction.

GENERAL GUIDE

Minimum separations and limitations: Services can be sealed as specified in the detailed drawings. An aperture can include several services, and they may also be different. The minimum permitted separation between adjacent seals/apertures is 200mm. Services should be a minimum of 25mm from seal edges. Services within the system iPASSIVE FR Board seal do not require a minimum separation, except pipes where combustible pipe insulation penetrates the seal and plastic pipe penetrations which should be a minimum of 30 mm from other services in the aperture. The total amount of cross sections of services (including insulation) should not exceed 60% of the penetration area.



Supporting constructions: Flexible walls must have a minimum thickness of 75 mm and comprise steel studs or timber studs*) lined on both faces with minimum 1 layer of 12.5 mm thick boards. Rigid walls must have a minimum thickness of 75 mm and comprise concrete, aerated concrete or masonry, with a minimum density of 650 kg/m³. Rigid floors must have a minimum thickness of 150 mm and comprise aerated concrete or concrete with a minimum density of 650 kg/m³. The supporting construction must be otherwise tested or assessed to achieve the required FRL of the penetration seal in accordance with AS1530.4 - 2014

INSTALLATION INSTRUCTIONS

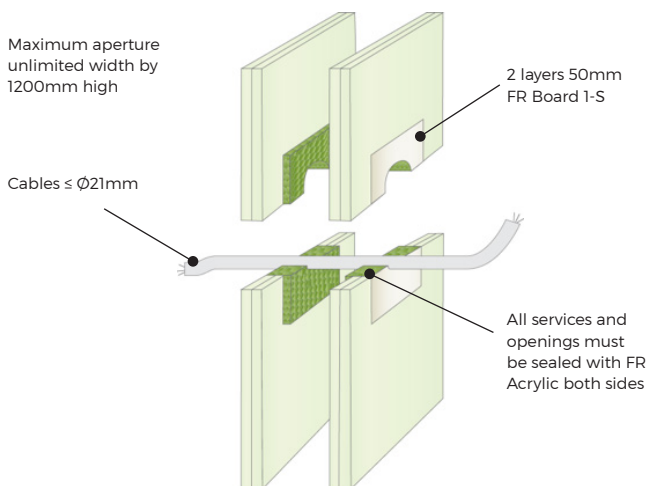
1. Before installing iPASSIVE FR Board ensure that the surface of all service penetrations and surrounding construction is free from all loose contaminants, dust and grease.
2. iPASSIVE FR Coating and iPASSIVE FR Acrylic and iPASSIVE FR ASF are water based, so in cases where corrosion protection is a problem, some metals may require a barrier between the seal and the surface prior to this installation.
3. Select the type and number of boards to meet the required fire classification using the drawings on pages 2-17.
4. When fitting boards into gypsum walls the coated side of the board should be flush with the surface of the gypsum on both sides. In seals wider than 2400mm, uninterrupted separating studs will be required at 2400mm centers or less.
5. When fitting double layer 60mm thick boards in masonry or concrete constructions, the boards should be flush with the surface of the construction on both sides to maximize the fire resistance. If this is not possible, there should be an air gap of at least 30mm between the boards.
6. When fitting single layer boards in masonry or concrete constructions, the board can be positioned to either side of the construction or anywhere in between.

7. When fire sealing shaft walls consisting of gypsum only on one side, subject to authority approval, install iPASSIVE FR Board on the exposed side following the instructions for gypsum wall installation shown on pages 2 to 7. The board should be facing the (fire) exposed side.
8. When installing iPASSIVE FR Board in hollow floor slabs or boards, fire seals specified as single layer boards should be installed from the soffit side of the floor assuming there is sufficient thickness of concrete below the void to follow the installation guide. Where this is not the case, tubular voids should be filled with stone wool normally the same thickness as the depth of the floor slab. Alternatively, simply fire seal on both sides.
9. Cut the required board(s) to suit the aperture dimensions and type and size of service penetration(s). All exposed and cut edges of the board can be sealed with iPASSIVE FR Coating or iPASSIVE FR Acrylic (iPASSIVE FR ASF in some cases) prior to fitting which will act as an adhesive and ensure a smoke tight seal.
10. All joints, gaps or imperfections in the installed seal must be filled with iPASSIVE FR Acrylic (iPASSIVE FR ASF in some cases) on both sides.
11. iPASSIVE FR Board can be over-painted with most emulsion or alkyd (gloss) paints.

DETAIL DRAWINGS | IPASSIVE FR BOARD | WALLS

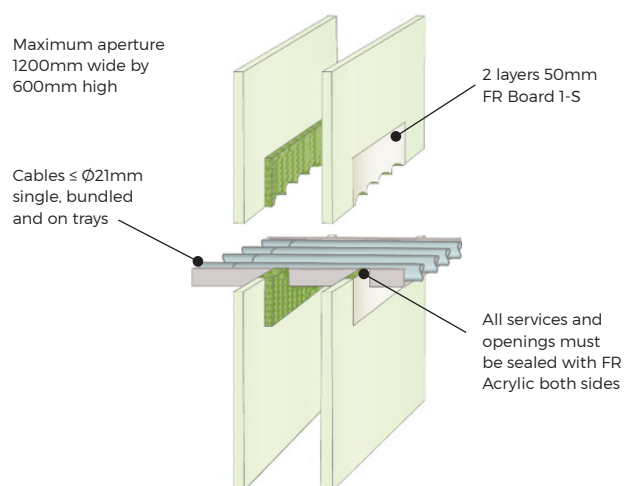
CABLES FIRE RESISTANCE -/120/60

≥ 100mm Gypsum, Masonry Or Concrete - Walls



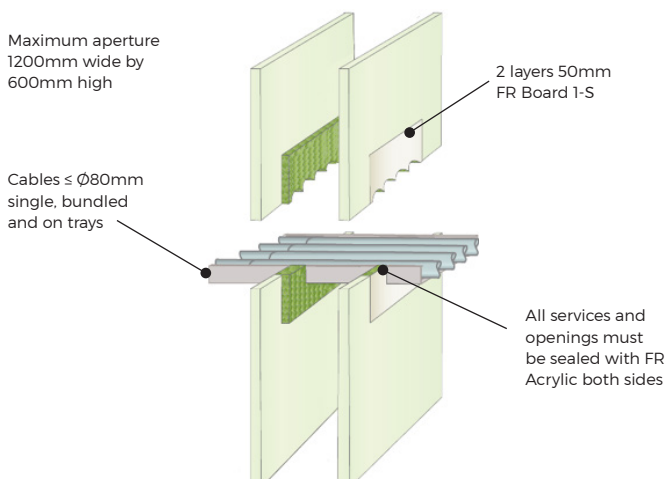
CABLES AND CABLE TRAYS FIRE RESISTANCE -/30/30

≥ 75mm Gypsum, Masonry Or Concrete - Walls



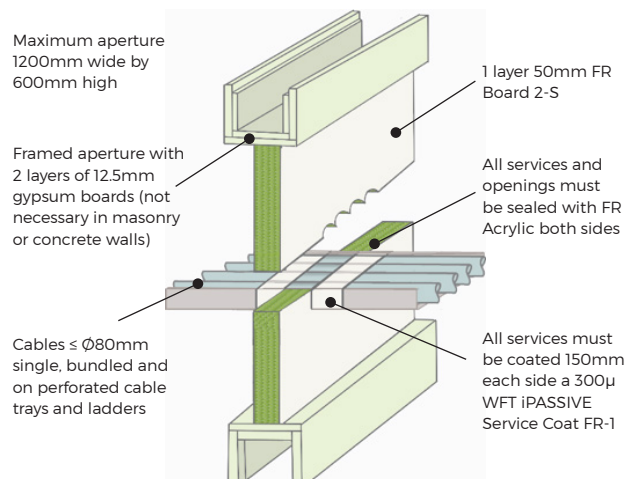
CABLES AND CABLE TRAYS FIRE RESISTANCE -/30/30

≥ 75mm Gypsum, Masonry Or Concrete - Walls



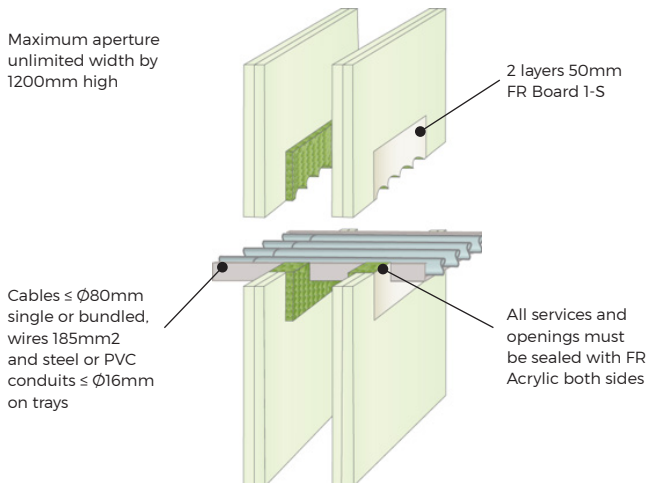
CABLES AND CABLE TRAYS FIRE RESISTANCE -/60/60

≥ 100mm Gypsum, Masonry Or Concrete - Walls

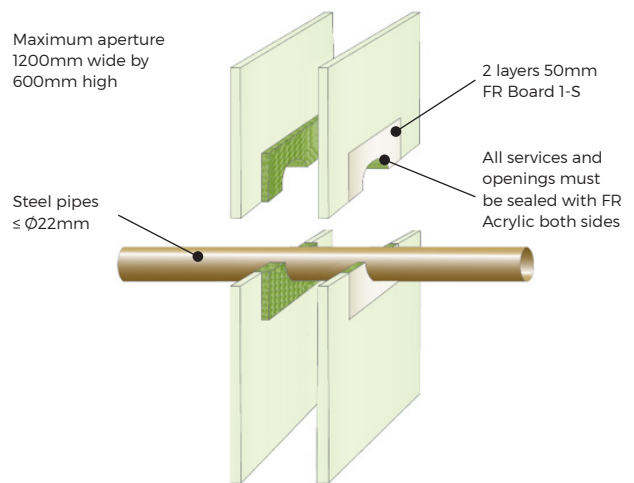


DETAIL DRAWINGS | IPASSIVE FR BOARD | WALLS

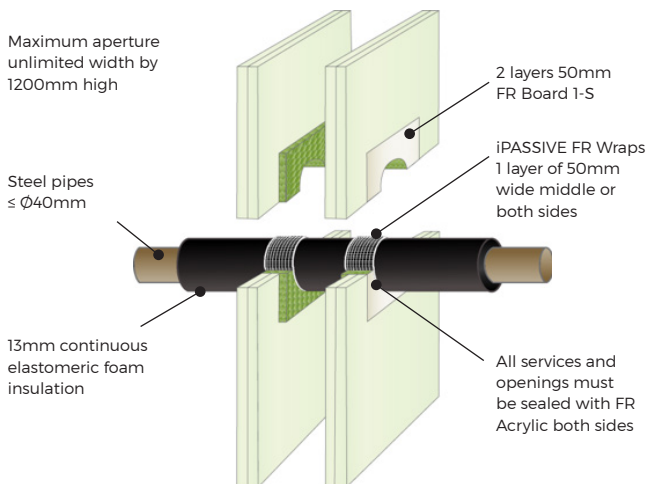
CABLES AND CABLE TRAYS FIRE RESISTANCE -/60/60 ≥ 100mm Gypsum, Masonry Or Concrete - Walls



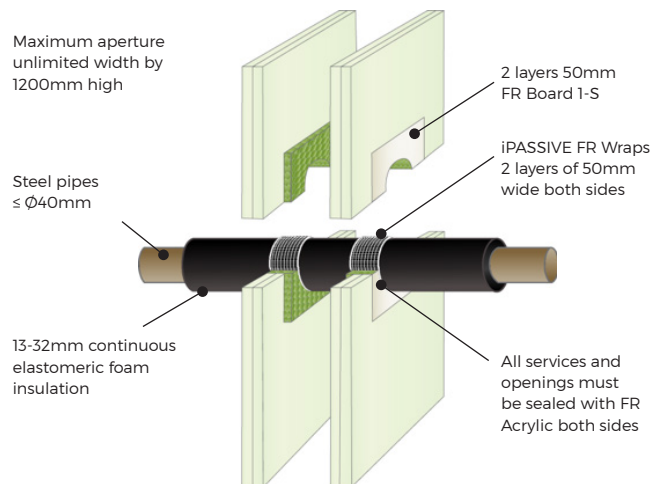
STEEL PIPES FIRE RESISTANCE -/30/30 C/U ≥ 75mm Gypsum, Masonry Or Concrete - Walls



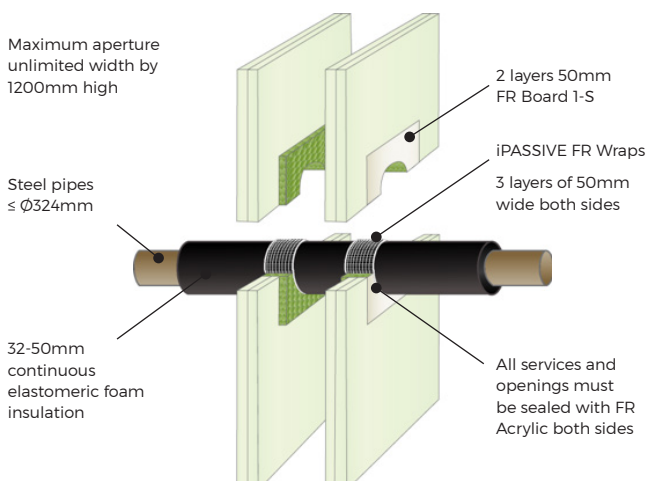
INSULATED STEEL PIPES FIRE RESISTANCE -/120/120 U/U ≥ 100mm Gypsum, Masonry Or Concrete - Walls



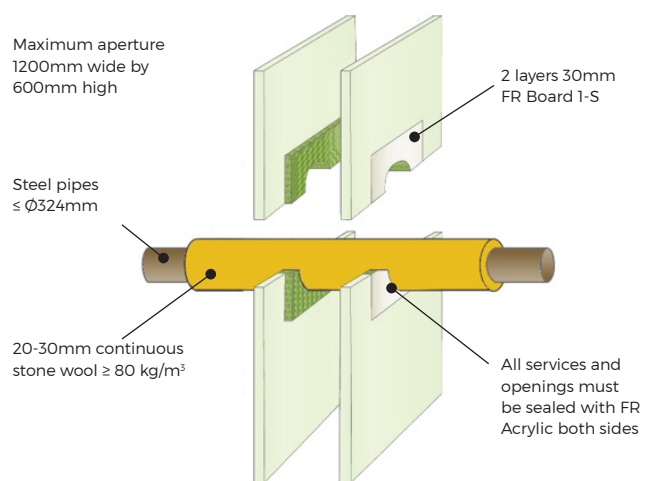
INSULATED STEEL PIPES FIRE RESISTANCE -/120/60 U/U ≥ 100mm Gypsum, Masonry Or Concrete - Walls



INSULATED STEEL PIPES FIRE RESISTANCE -/90/90 C/U ≥ 100mm Gypsum, Masonry Or Concrete - Walls

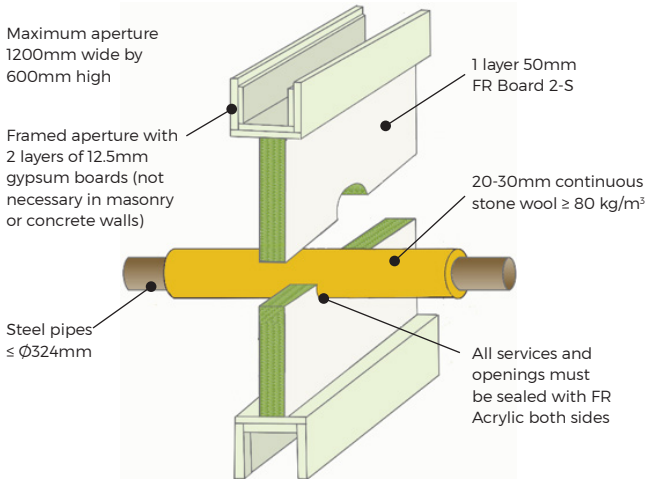


INSULATED STEEL PIPES FIRE RESISTANCE -/30/30 C/U ≥ 100mm Gypsum, Masonry Or Concrete - Walls

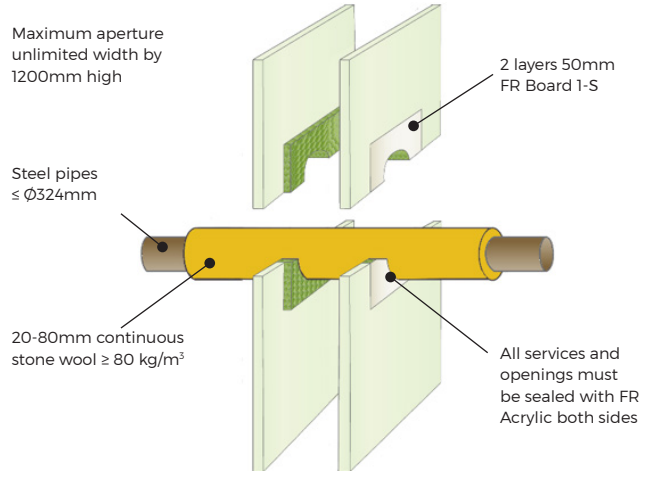


DETAIL DRAWINGS | IPASSIVE FR BOARD | WALLS

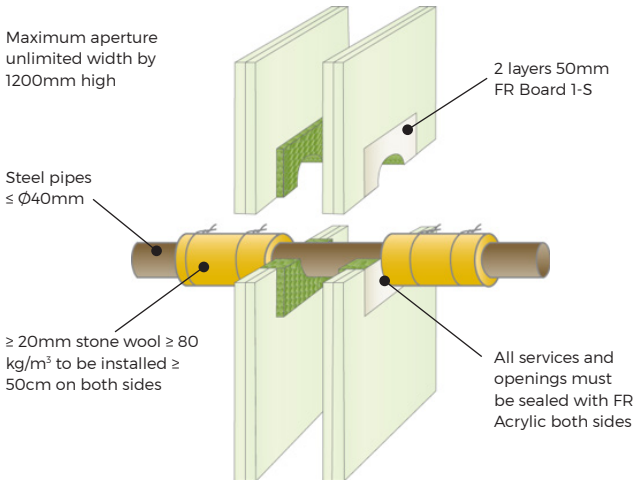
INSULATED STEEL PIPES FIRE RESISTANCE -/90/60 C/U ≥ 100mm Gypsum, Masonry Or Concrete - Walls



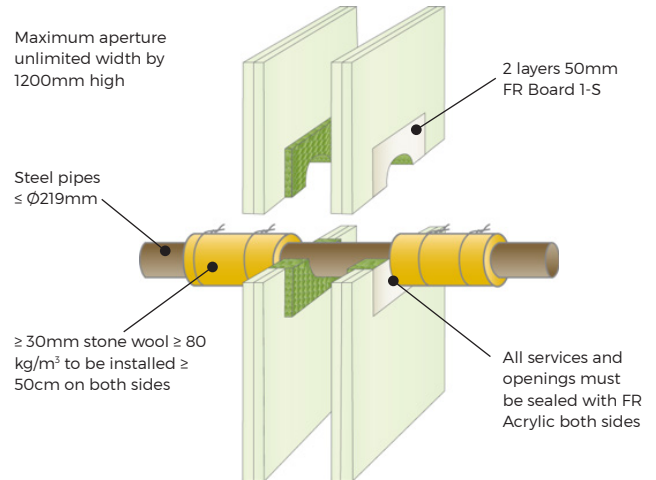
INSULATED STEEL PIPES FIRE RESISTANCE -/120/120 C/U ≥ 100mm Gypsum, Masonry Or Concrete - Walls



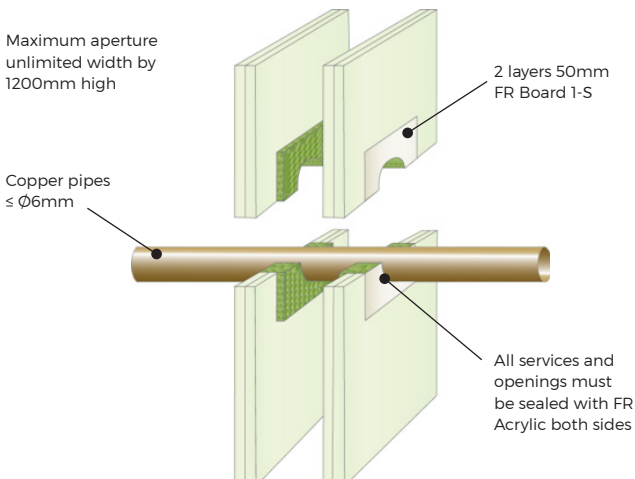
STEEL PIPES FIRE RESISTANCE -/120/120 C/U ≥ 100mm Gypsum, Masonry Or Concrete - Walls



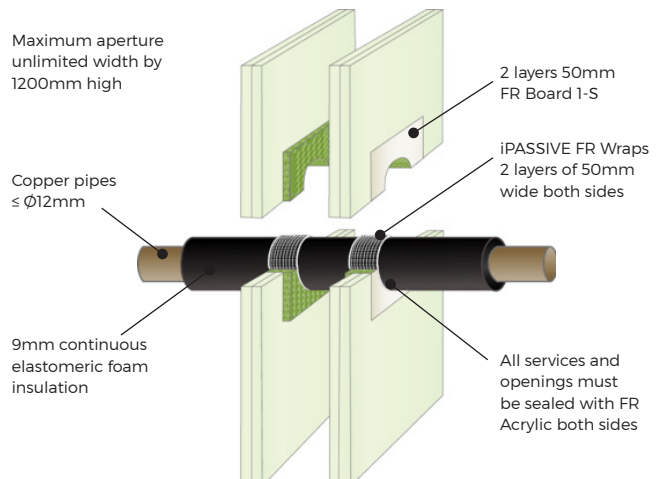
STEEL PIPES FIRE RESISTANCE -/120/90 C/U ≥ 100mm Gypsum, Masonry Or Concrete - Walls



COPPER PIPES FIRE RESISTANCE -/120/60 C/C ≥ 100mm Gypsum, Masonry Or Concrete - Walls

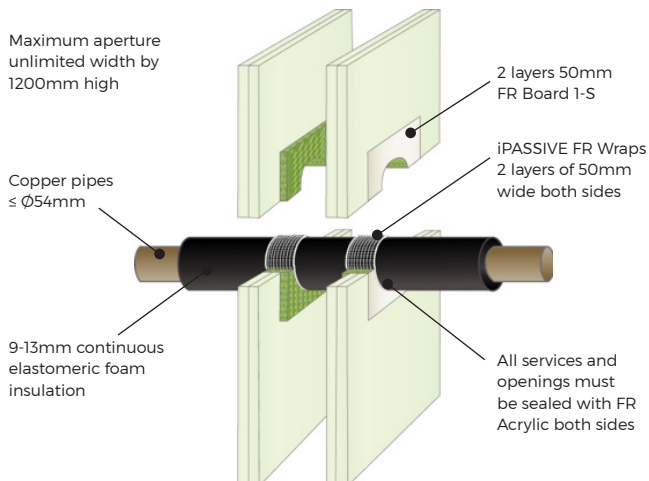


COPPER PIPES FIRE RESISTANCE -/120/120 C/C ≥ 100mm Gypsum, Masonry Or Concrete - Walls

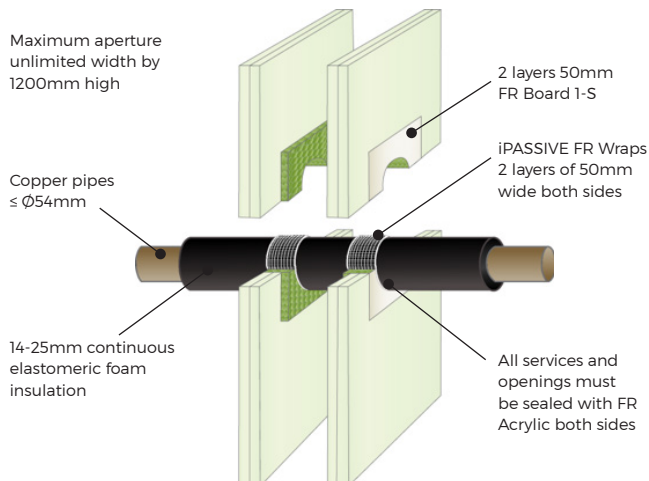


DETAIL DRAWINGS | IPASSIVE FR BOARD | WALLS

COPPER PIPES FIRE RESISTANCE -/120/90 C/C ≥ 100mm Gypsum, Masonry Or Concrete - Walls

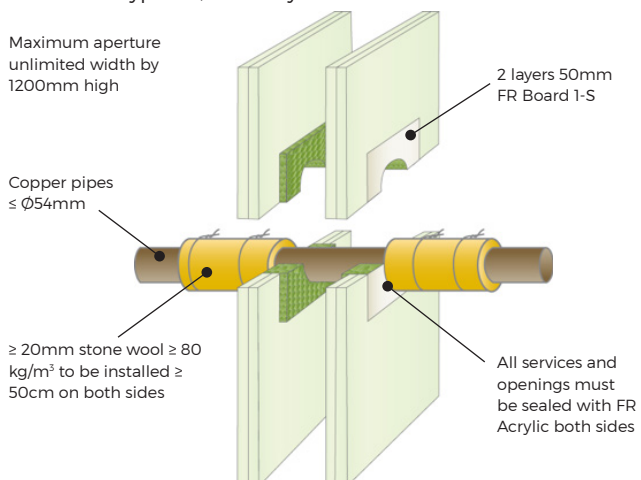


COPPER PIPES FIRE RESISTANCE -/120/60 C/C ≥ 100mm Gypsum, Masonry Or Concrete - Walls

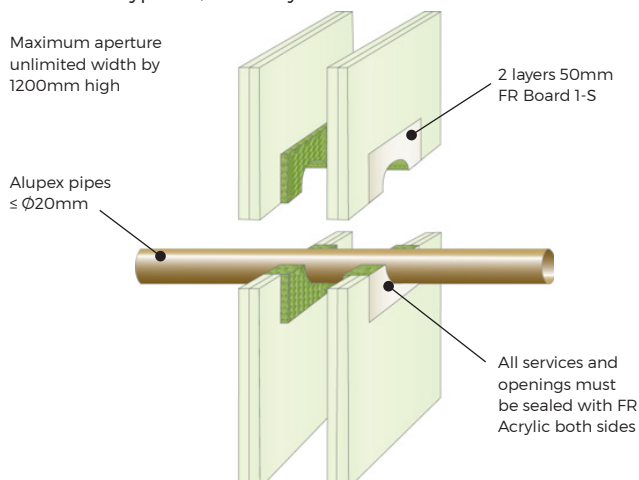


COPPER PIPES FIRE RESISTANCE -/120/120 C/C ≥ 100mm Gypsum, Masonry Or Concrete - Walls

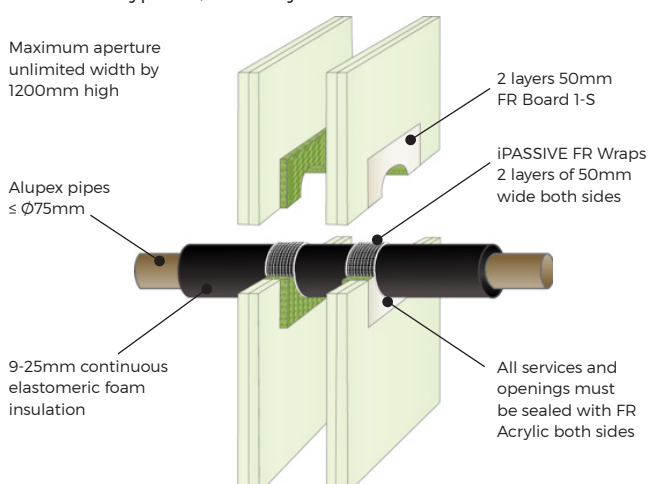
Alupex pipes $\leq \varnothing 75\text{mm}$



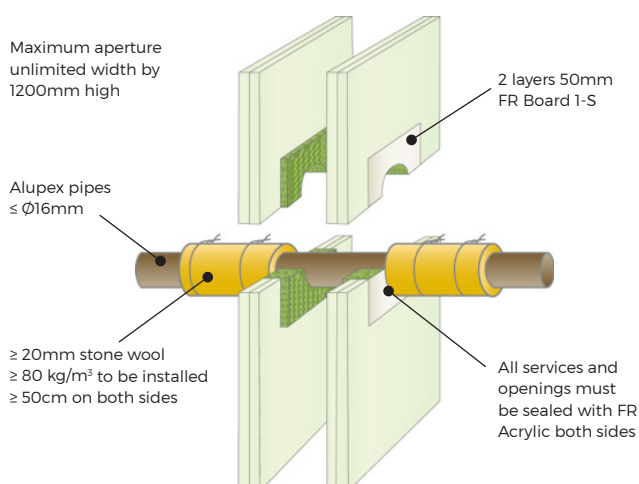
ALUPEX PIPES FIRE RESISTANCE -/120/120 C/C ≥ 100mm Gypsum, Masonry Or Concrete - Walls



ALUPEX PIPES FIRE RESISTANCE -/120/120 C/C ≥ 100mm Gypsum, Masonry Or Concrete - Walls

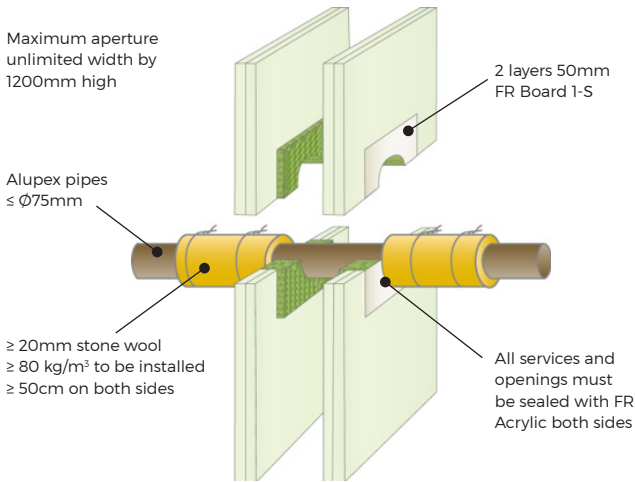


ALUPEX PIPES FIRE RESISTANCE -/120/120 C/C ≥ 100mm Gypsum, Masonry Or Concrete - Walls

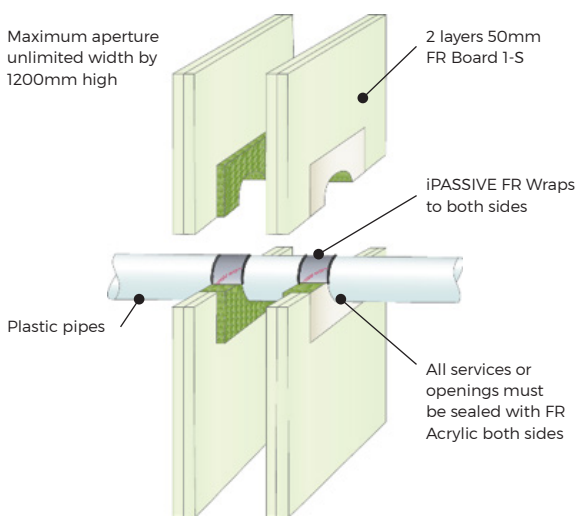
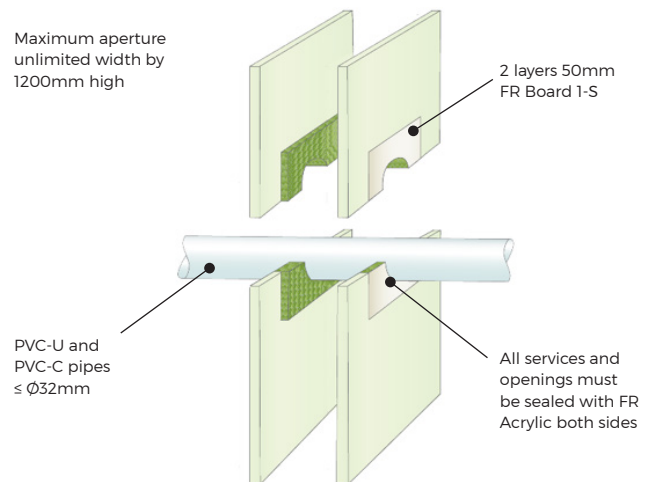


DETAIL DRAWINGS | IPASSIVE FR BOARD | WALLS

ALUPEX COMPOSITE PIPES FIRE RESISTANCE -/60/60 C/C ≥ 100mm Gypsum, Masonry Or Concrete - Walls



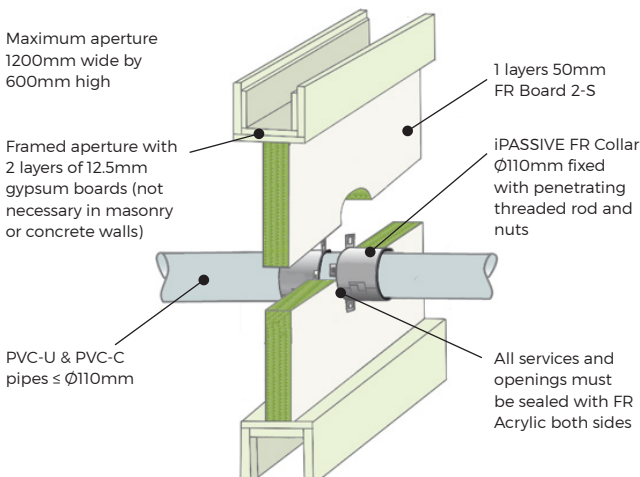
PLASTIC PIPES FIRE RESISTANCE -/30/30 U/C ≥ 100mm Gypsum, Masonry Or Concrete - Walls



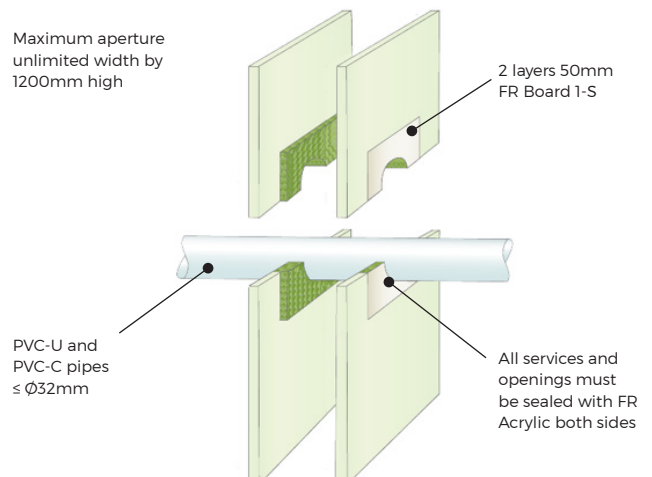
PLASTIC PIPES FIRE RESISTANCE -/90/90 TO -/120/120 ≥ 100mm Gypsum, Masonry Or Concrete - Walls

Services	Wrap	Classification
Ø40mm PVC-U & PVC-C	50 x 1.8mm (1 layer)	-/120/120 U/U, C/U, U/C, C/C
≤ Ø40mm PE, ABS & SAN+PVC	50 x 1.8mm (1 layer)	-/120/120 U/U, C/U, U/C, C/C
≤ Ø40mm PP	50 x 1.8mm (1 layer)	-/120/120 U/U, C/U, U/C, C/C
Ø41-110mm PVC-U & PVC-C	50 x 3.6mm (2 layers)	-/120/90 U/C, C/C & -/90/90 U/C, C/C
Ø41-110mm PE, ABS & SAN+PVC	50 x 3.6mm (2 layers)	-/120/90 U/C, C/C & -/90/90 U/C, C/C
Ø41-110mm PP	50 x 3.6mm (2 layers)	-/90/90 U/U, C/U, U/C, C/C
Ø125mm PVC-U & PVC-C	50 x 5.4mm (3 layers)	-/120/90 U/C, C/C & -/90/90 U/C, C/C
Ø125mm PE, ABS & SAN+PVC	50 x 5.4mm (3 layers)	-/120/90 U/C, C/C & -/90/90 U/C, C/C
Ø125mm PP	50 x 5.4mm (3 layers)	-/120/90 U/C, C/C & -/90/90 U/C, C/C
Ø160mm PVC-U & PVC-C	50 x 7.2mm (4 layers)	-/120/90 U/C, C/C & -/90/90 U/C, C/C
Ø160mm PE, ABS & SAN+PVC	50 x 7.2mm (4 layers)	-/120/90 U/C, C/C & -/90/90 U/C, C/C
Ø160mm PP≤	50 x 7.2mm (4 layers)	-/120/90 U/C, C/C & -/90/90 U/C, C/C

PLASTIC PIPES FIRE RESISTANCE -/90/60 U/C ≥ 100mm Gypsum, Masonry Or Concrete - Walls

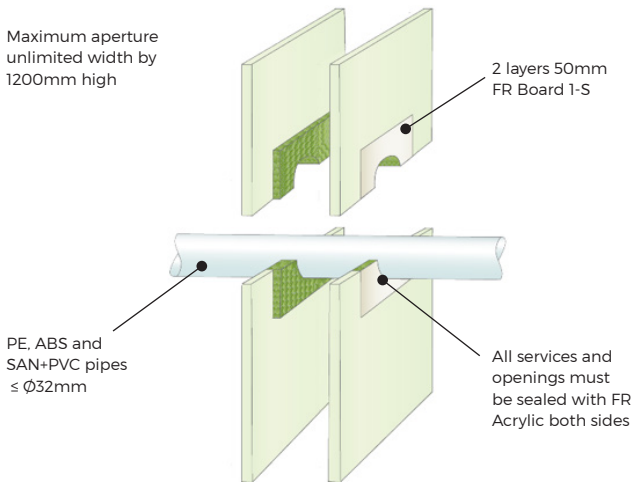


PLASTIC PIPES FIRE RESISTANCE -/90/60 U/C ≥ 100mm Gypsum, Masonry Or Concrete - Walls

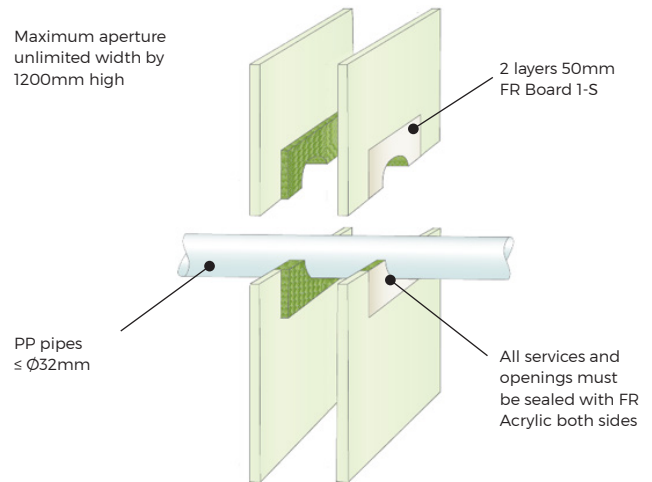


DETAIL DRAWINGS | IPASSIVE FR BOARD | WALLS

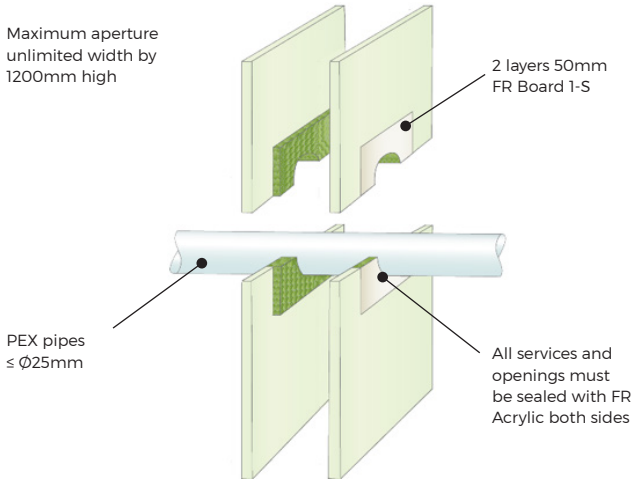
PLASTIC PIPES FIRE RESISTANCE -/60/60 U/C ≥ 100mm Gypsum, Masonry Or Concrete - Walls



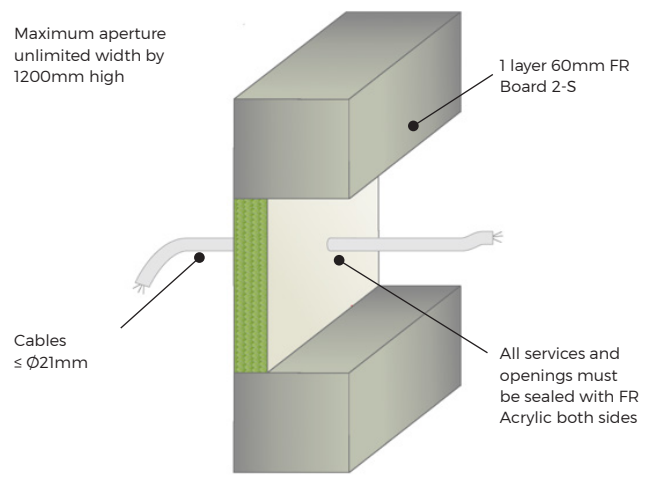
PLASTIC PIPES FIRE RESISTANCE -/60/60 U/C ≥ 100mm Gypsum, Masonry Or Concrete - Walls



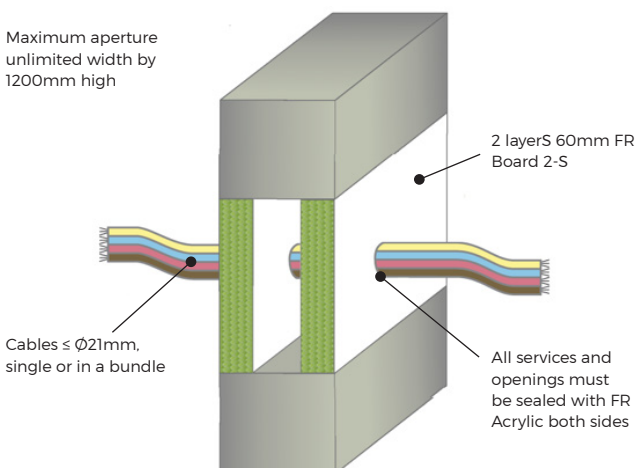
PEX PIPE IN PIPE SYSTEM FIRE RESISTANCE -/90/90 C/C ≥ 100mm Gypsum, Masonry Or Concrete - Walls



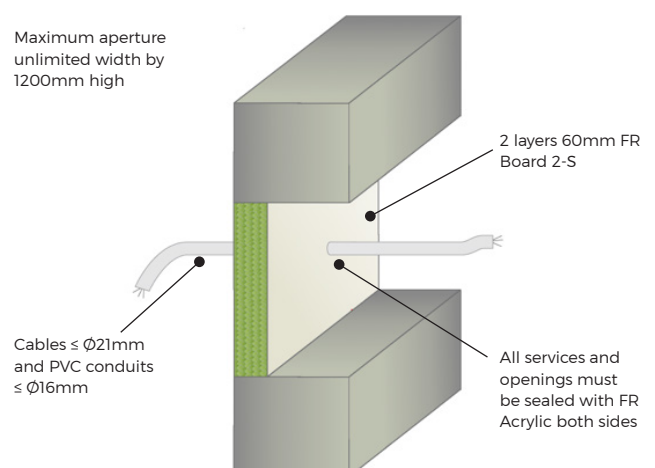
CABLES FIRE RESISTANCE -/240/90 Masonry Or Concrete - Walls



CABLES FIRE RESISTANCE -/240/120 Masonry Or Concrete - Walls



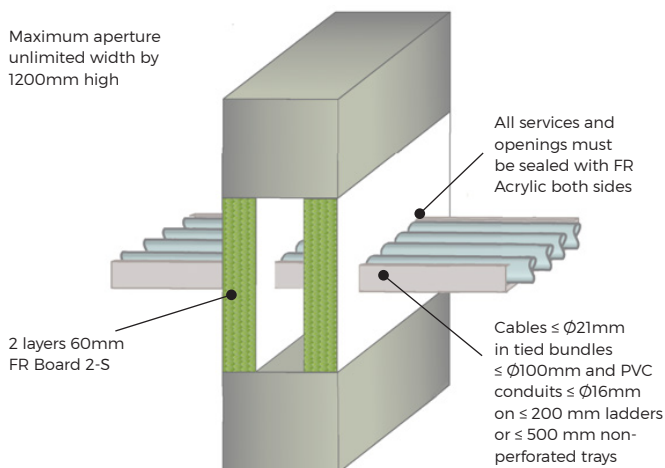
CABLES AND PVC CONDUITS FIRE RESISTANCE -/240/180 Masonry Or Concrete - Walls



DETAIL DRAWINGS | IPASSIVE FR BOARD | WALLS

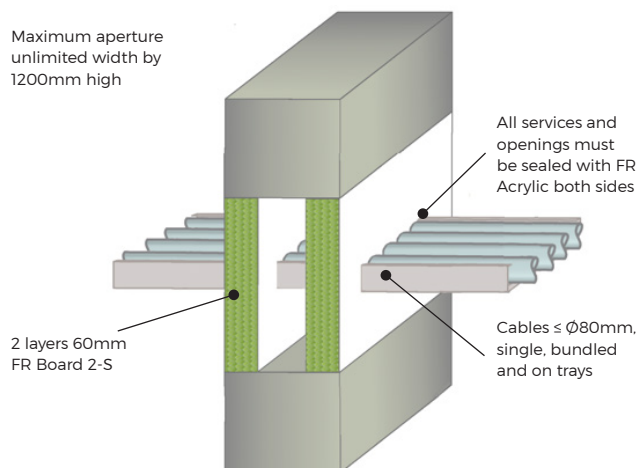
CABLES AND CABLE TRAYS FIRE RESISTANCE -/180/120 Masonry Or Concrete - Walls

Maximum aperture
unlimited width by
1200mm high



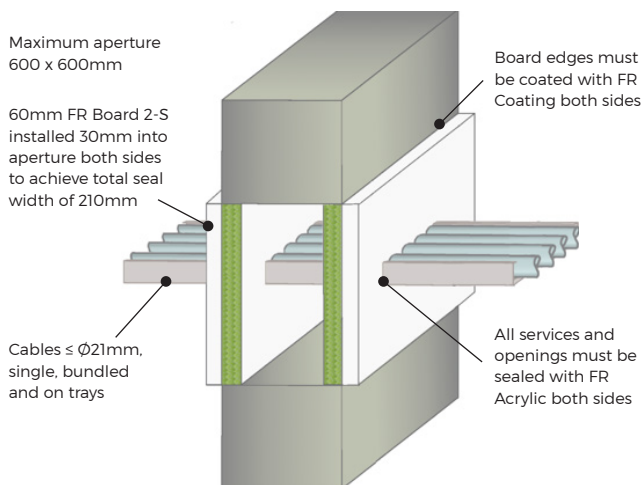
CABLES AND CABLE TRAYS FIRE RESISTANCE -/180/120 Masonry Or Concrete - Walls

Maximum aperture
unlimited width by
1200mm high



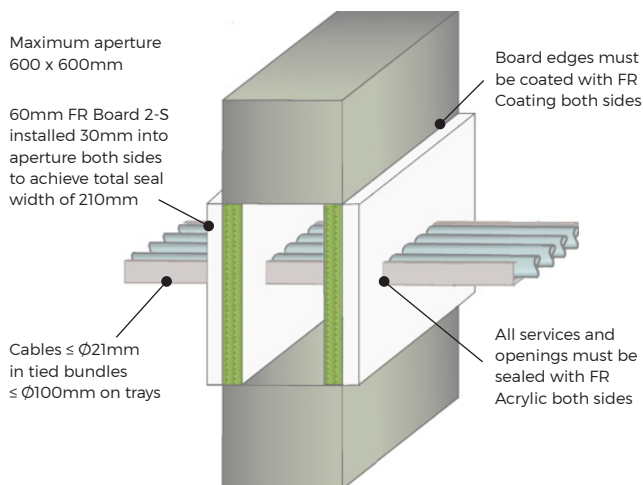
CABLES AND CABLE TRAYS FIRE RESISTANCE -/240/120 Masonry Or Concrete - Walls

Maximum aperture
600 x 600mm



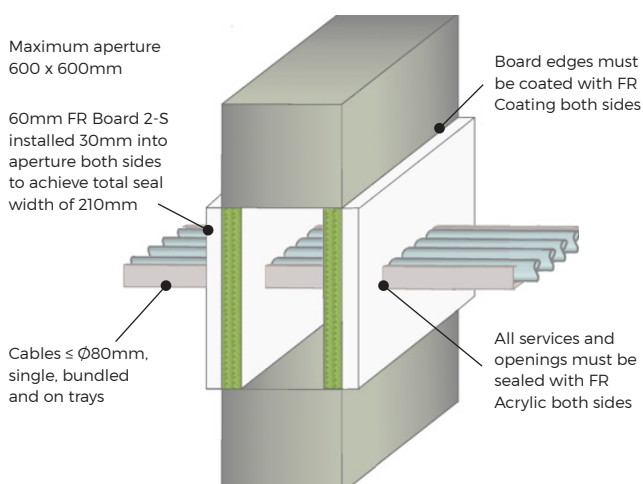
CABLES AND CABLE TRAYS FIRE RESISTANCE -/240/240 Masonry Or Concrete - Walls

Maximum aperture
600 x 600mm



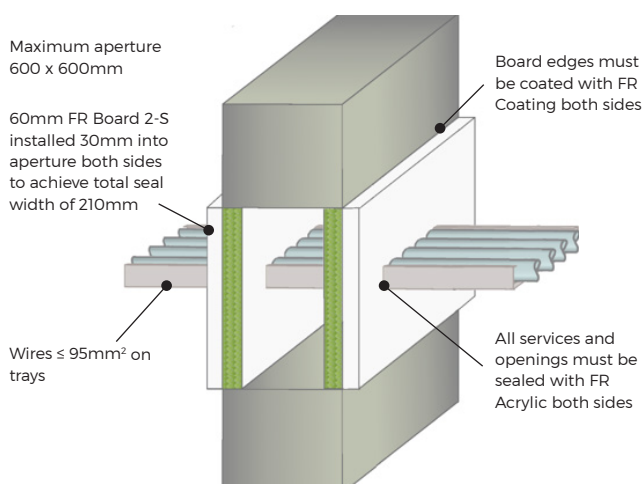
CABLES AND CABLE TRAYS FIRE RESISTANCE -/240/60 Masonry Or Concrete - Walls

Maximum aperture
600 x 600mm



CABLES AND CABLE TRAYS FIRE RESISTANCE -/240/180 Masonry Or Concrete - Walls

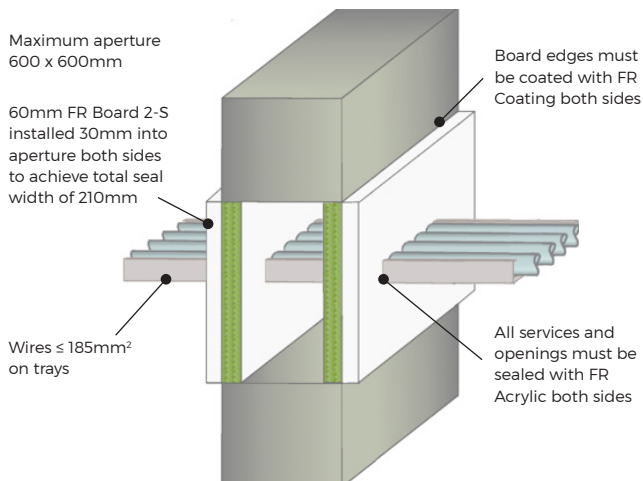
Maximum aperture
600 x 600mm



DETAIL DRAWINGS | IPASSIVE FR BOARD | WALLS

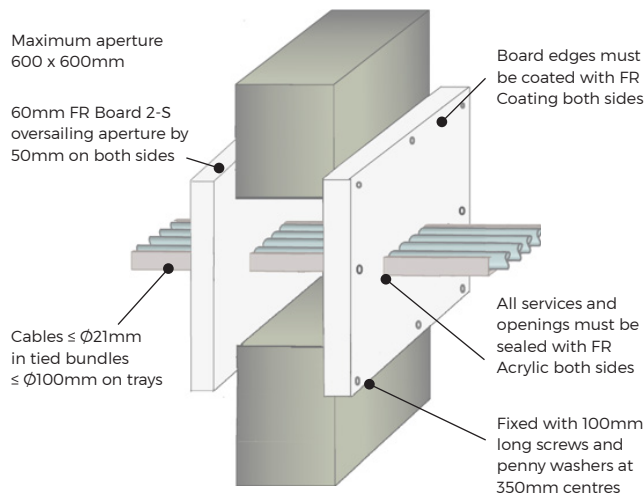
CABLES AND CABLE TRAYS FIRE RESISTANCE -/240/90

Masonry Or Concrete - Walls



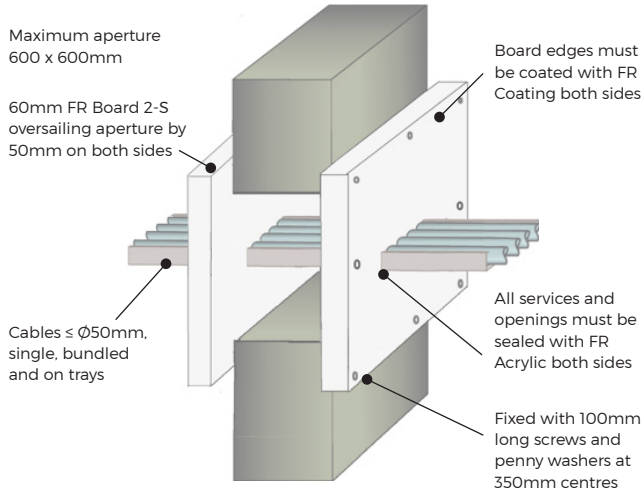
CABLES AND CABLE TRAYS FIRE RESISTANCE -/240/240

Masonry Or Concrete - Walls



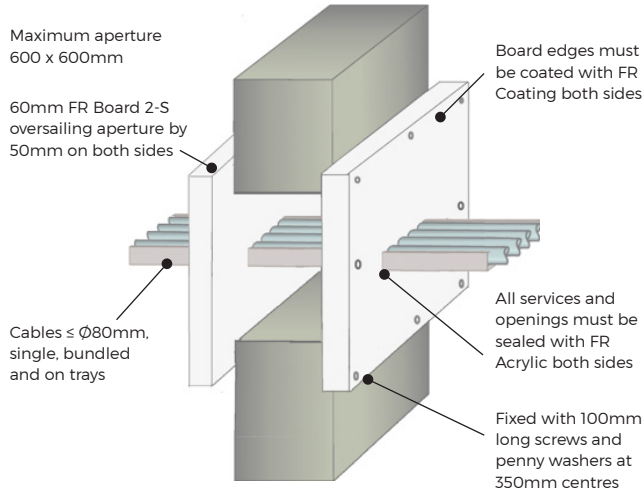
CABLES AND CABLE TRAYS FIRE RESISTANCE -/240/90

Masonry Or Concrete - Walls



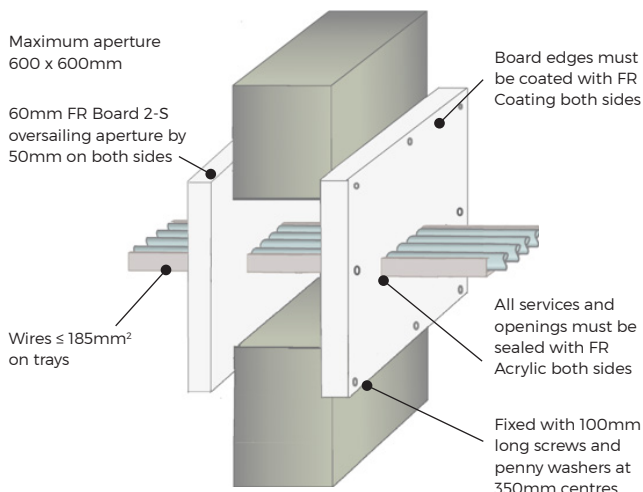
CABLES AND CABLE TRAYS FIRE RESISTANCE -/240/60

Masonry Or Concrete - Walls



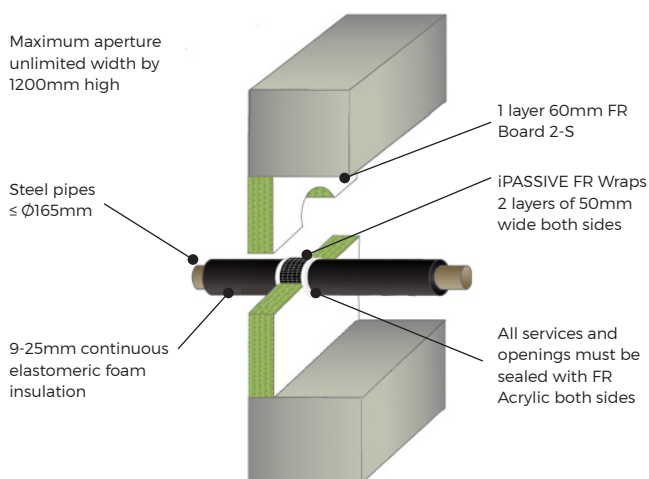
CABLES AND CABLE TRAYS FIRE RESISTANCE -/240/180

Masonry Or Concrete - Walls



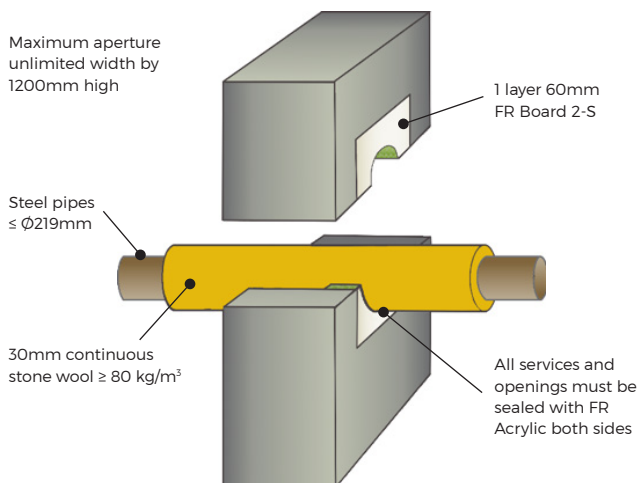
INSULATED STEEL PIPES FIRE RESISTANCE -/120/30 C/U

Masonry Or Concrete - Walls

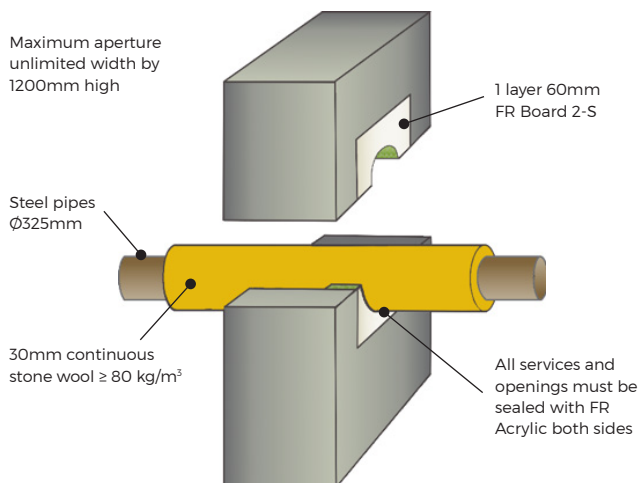


DETAIL DRAWINGS | IPASSIVE FR BOARD | WALLS

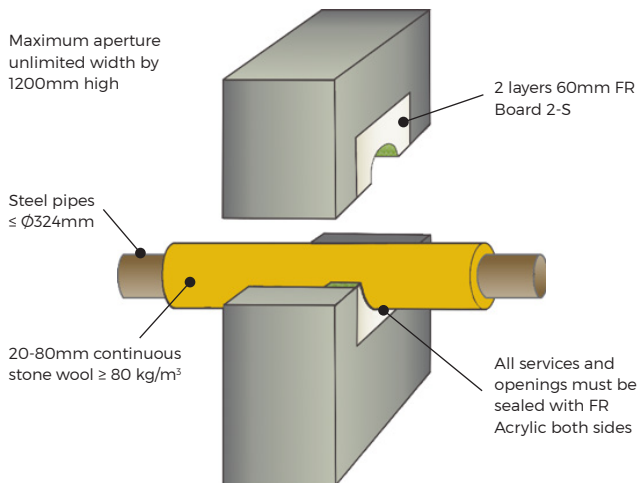
INSULATED STEEL PIPES FIRE RESISTANCE -/240/60 C/U
Masonry Or Concrete - Walls



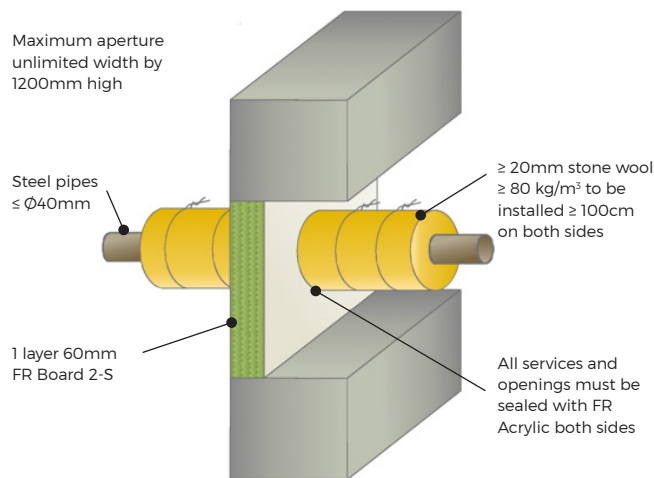
INSULATED STEEL PIPES FIRE RESISTANCE -/120/90 C/U
Masonry Or Concrete - Walls



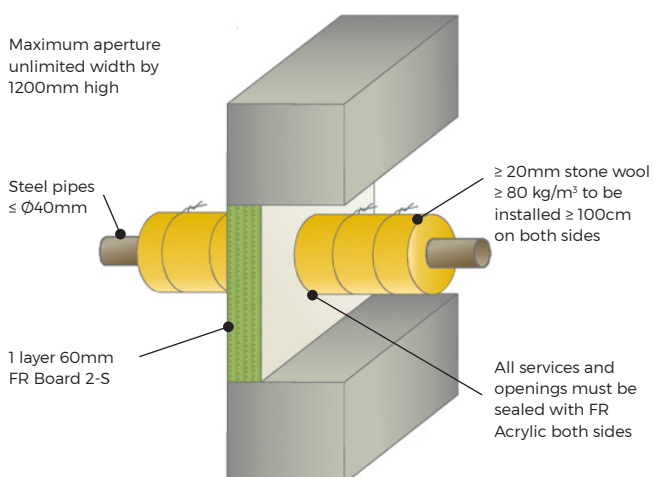
INSULATED STEEL PIPES FIRE RESISTANCE -/240/180 C/U
Masonry Or Concrete - Walls



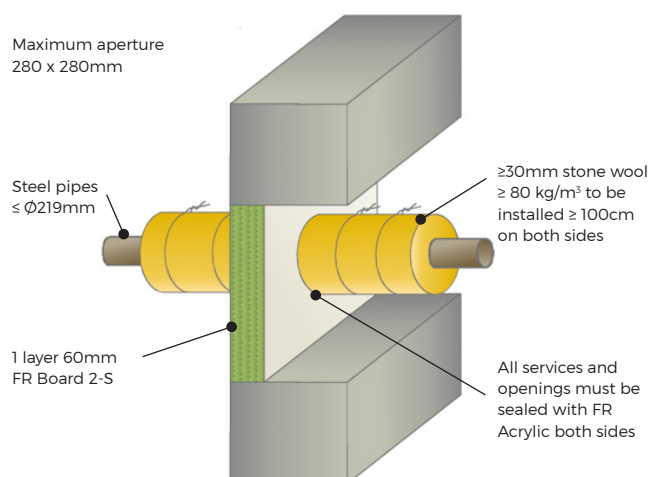
STEEL PIPES FIRE RESISTANCE -/240/240 C/U
Masonry Or Concrete - Walls



STEEL PIPES FIRE RESISTANCE -/240/90 C/U
Masonry Or Concrete - Walls



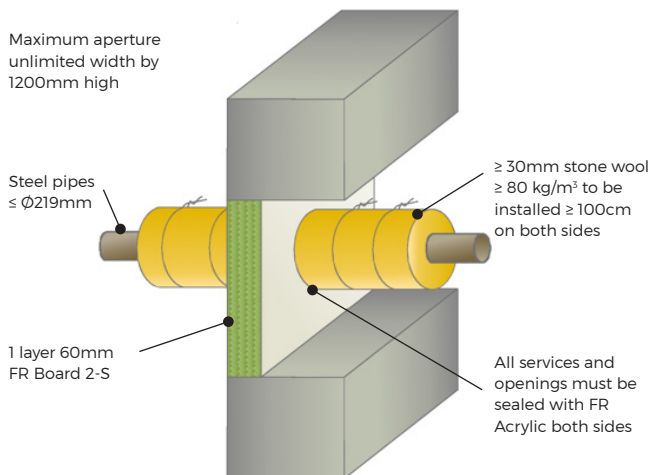
STEEL PIPES FIRE RESISTANCE -/240/240 C/U
Masonry Or Concrete - Walls



DETAIL DRAWINGS | IPASSIVE FR BOARD | WALLS

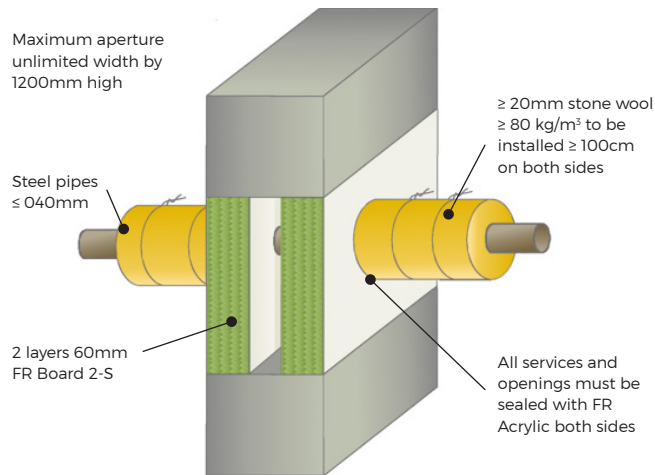
STEEL PIPES FIRE RESISTANCE -/240/90 C/U

Masonry Or Concrete - Walls



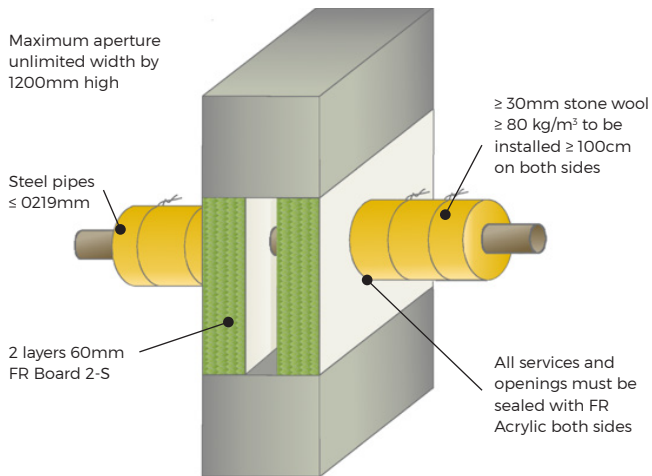
STEEL PIPES FIRE RESISTANCE -/240/180 C/U

Masonry Or Concrete - Walls



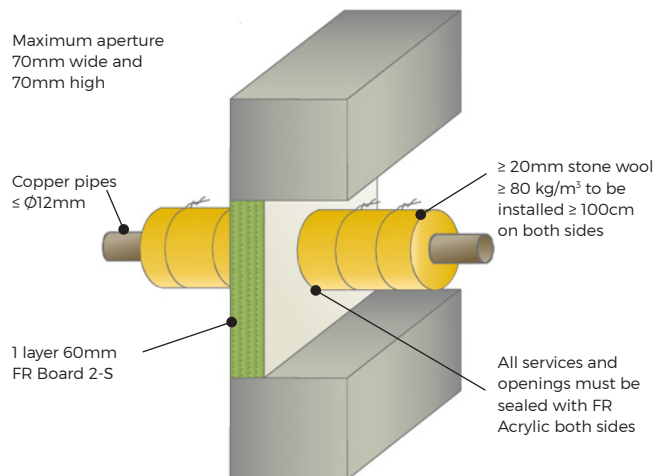
STEEL PIPES FIRE RESISTANCE -/240/180 C/U

Masonry Or Concrete - Walls



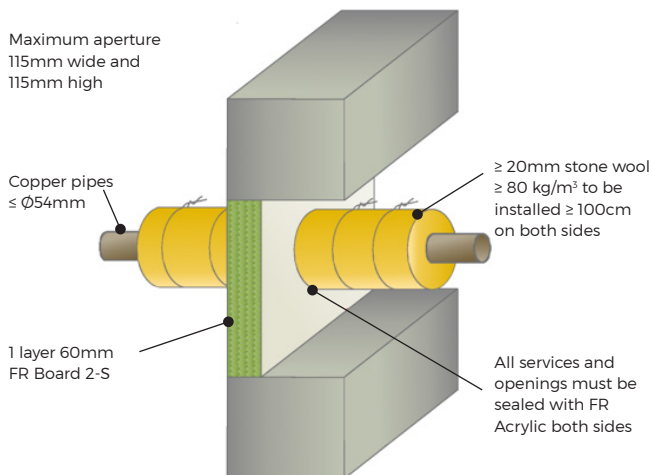
COPPER PIPES FIRE RESISTANCE -/240/240 C/U

Masonry Or Concrete - Walls



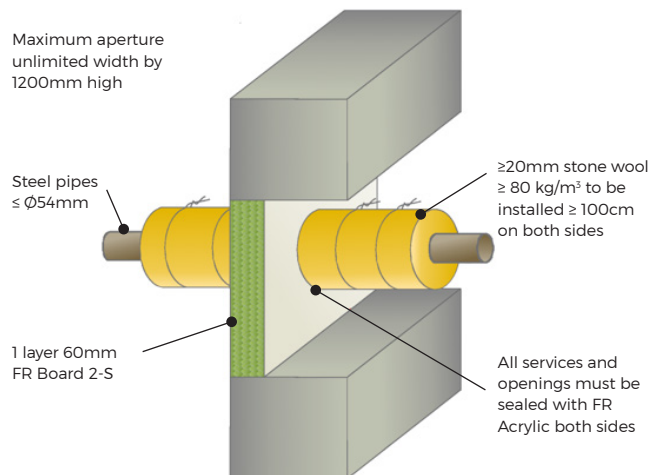
COPPER PIPES FIRE RESISTANCE -/240/120 C/U

Masonry Or Concrete - Walls



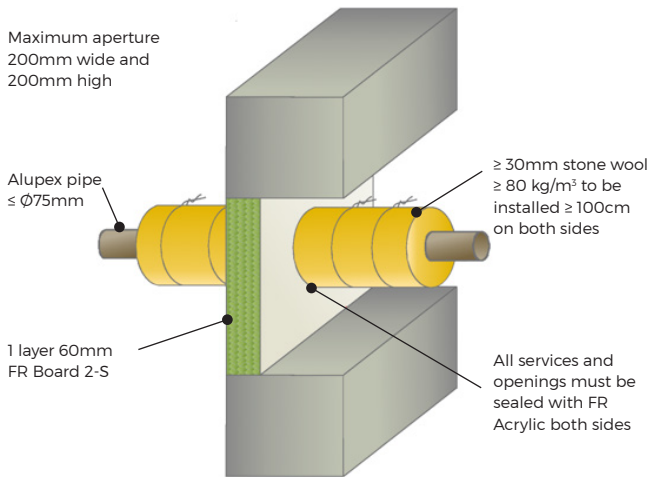
COPPER PIPES FIRE RESISTANCE -/240/90 C/U

Masonry Or Concrete - Walls

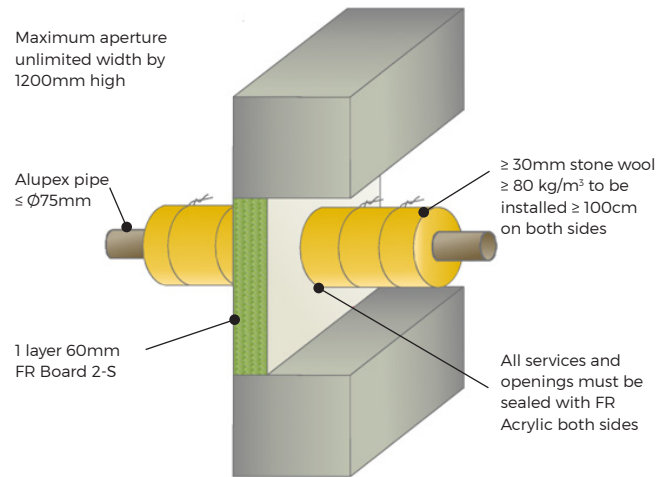


DETAIL DRAWINGS | IPASSIVE FR BOARD | WALLS

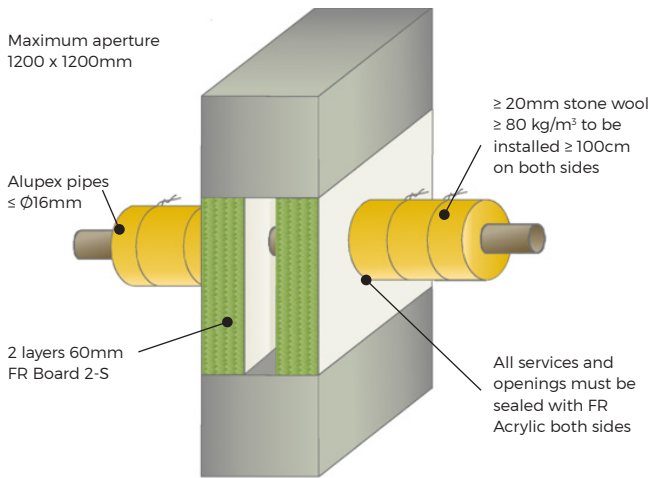
ALUPEX COMPOSITE PIPES FIRE RESISTANCE -/120/120 C/C Masonry Or Concrete - Walls



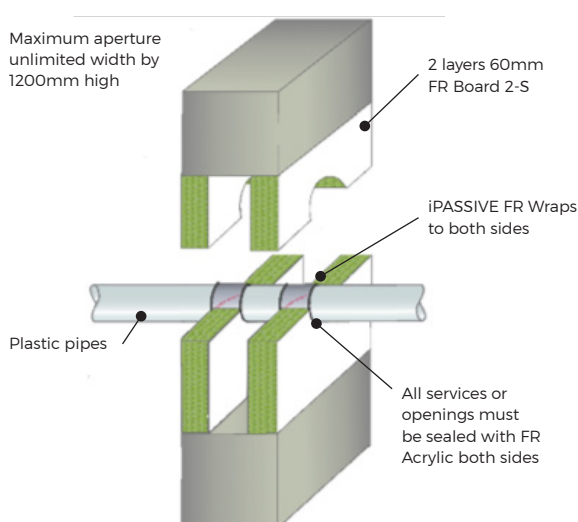
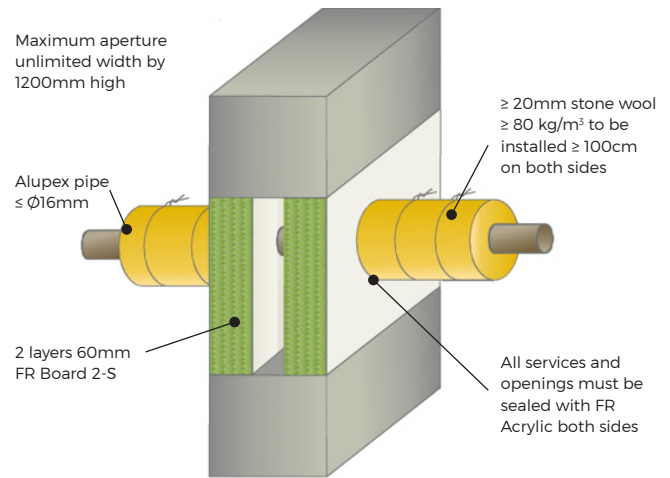
ALUPEX COMPOSITE PIPES FIRE RESISTANCE -/120/90 C/C Masonry Or Concrete - Walls



ALUPEX COMPOSITE PIPES FIRE RESISTANCE -/240/240 U/C Masonry Or Concrete - Walls



ALUPEX COMPOSITE PIPES FIRE RESISTANCE -/120/90 C/C Masonry Or Concrete - Walls



PLASTIC PIPES FIRE RESISTANCE -/240/240 Masonry Or Concrete - Walls

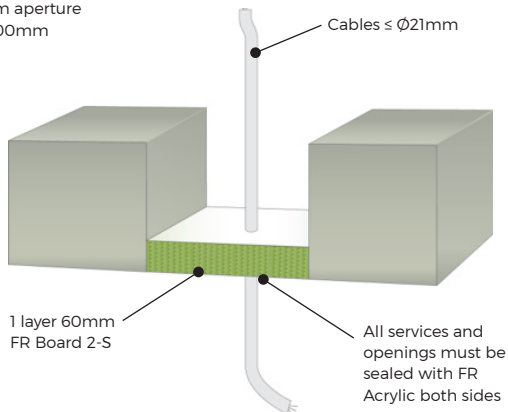
Services	Wrap	Classification
≤ Ø40mm PVC-U & PVC-C	50 x 1.8mm (1 layer)	-/240/240 C/C, U/C
≤ Ø40mm PE, ABS & SAN+PVC	50 x 1.8mm (1 layer)	-/240/240 C/C, U/C
≤ Ø40mm PP	50 x 1.8mm (1 layer)	-/240/240 C/C, U/C
Ø41-110mm PVC-U & PVC-C	50 x 3.6mm (2 layers)	-/240/240 C/C, U/C
Ø41-110mm PE, ABS & SAN+PVC	50 x 3.6mm (2 layers)	-/240/240 C/C, U/C
Ø41-110mm PP	50 x 3.6mm (2 layers)	-/240/240 C/C
Ø111-125mm PVC-U & PVC-C	50 x 7.2mm (4 layers)	-/240/240 C/C, U/C
Ø111-125mm PE, ABS & SAN+PVC	50 x 7.2mm (4 layers)	-/240/240 C/C, U/C
Ø111-125mm PP	50 x 7.2mm (4 layers)	-/240/240 C/C
Ø126-160mm PVC-U & PVC-C	50 x 10.8mm (6 layers)	-/240/240 C/C, U/C
Ø126-160mm PE, ABS & SAN+PVC	50 x 10.8mm (6 layers)	-/240/240 C/C, U/C
Ø126-160mm PP	50 x 10.8mm (6 layers)	-/240/240 C/C

DETAIL DRAWINGS | IPASSIVE FR BOARD | FLOORS

CABLES FIRE RESISTANCE -/240/30

Rigid Floors

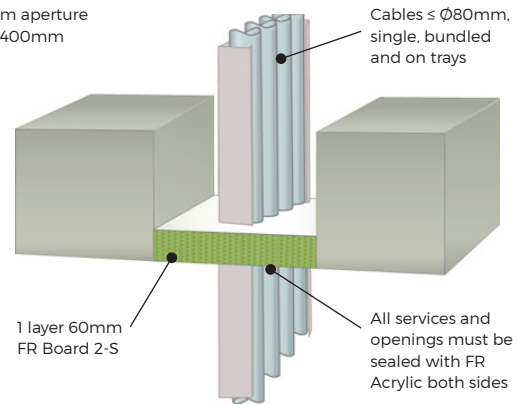
Maximum aperture
600 x 1200mm



CABLES AND CABLE TRAYS FIRE RESISTANCE -/30/30

Rigid Floors

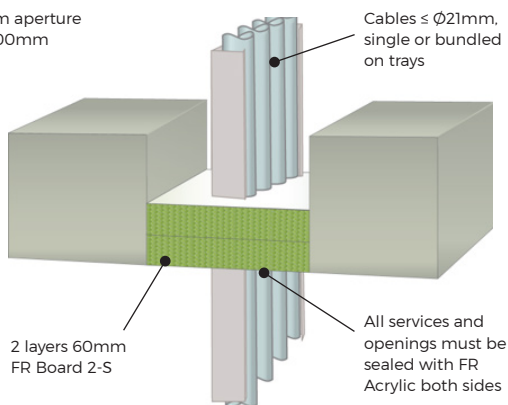
Maximum aperture
1200 x 2400mm



CABLES AND CABLE TRAYS FIRE RESISTANCE -/120/120

Rigid Floors

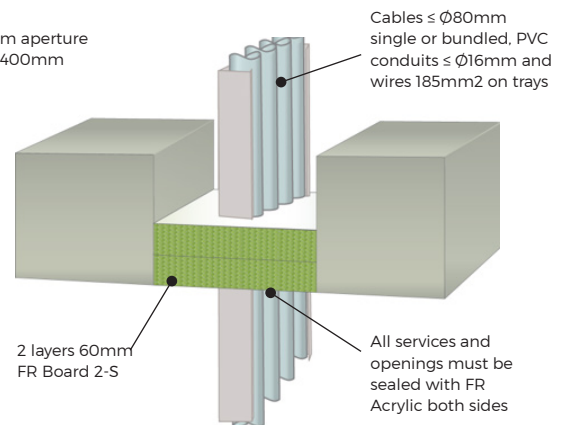
Maximum aperture
600 x 1200mm



CABLES AND CABLE TRAYS FIRE RESISTANCE -/120/60

Rigid Floors

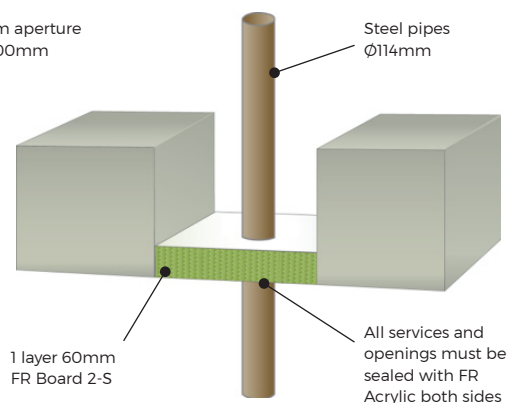
Maximum aperture
1200 x 2400mm



STEEL PIPES FIRE RESISTANCE -/240/- C/C

Rigid Floors

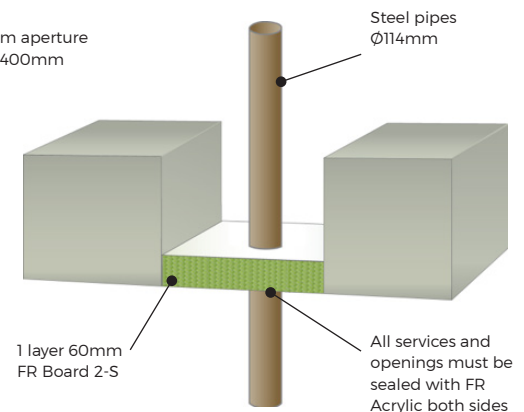
Maximum aperture
600 x 1200mm



STEEL PIPES FIRE RESISTANCE -/120/- C/C

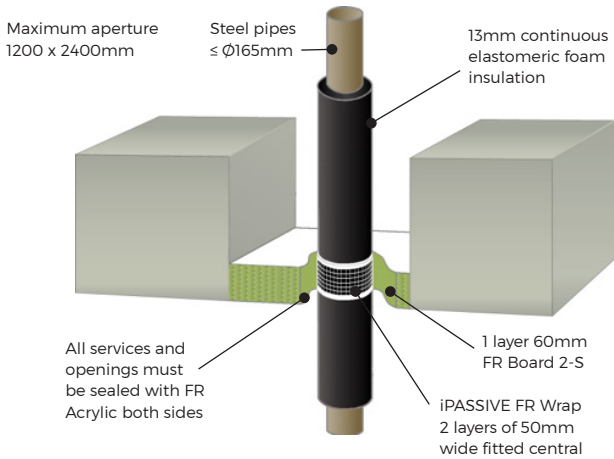
Rigid Floors

Maximum aperture
1200 x 2400mm

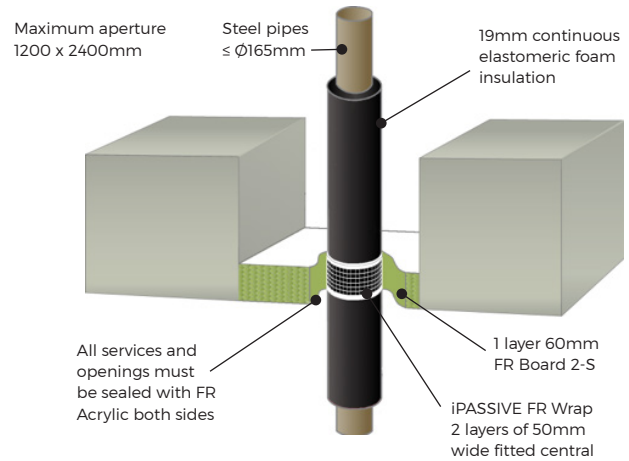


DETAIL DRAWINGS | IPASSIVE FR BOARD | FLOORS

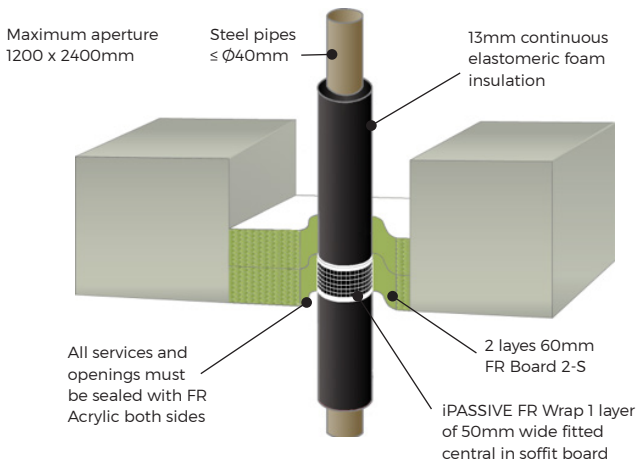
INSULATED STEEL PIPES FIRE RESISTANCE -/90/30 C/U Rigid Floors



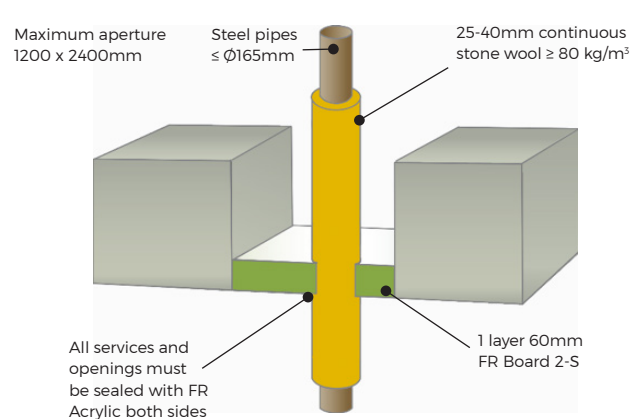
INSULATED STEEL PIPES FIRE RESISTANCE -/90/90 C/U Rigid Floors



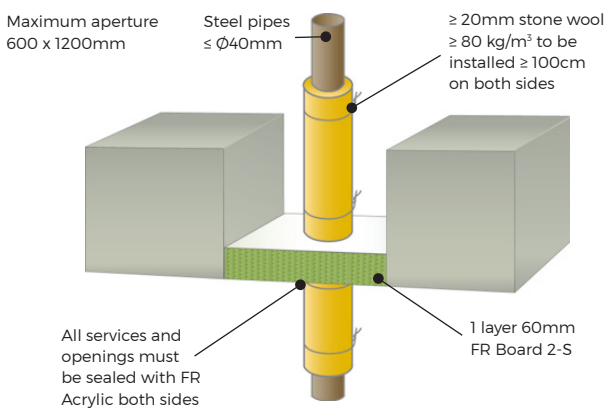
INSULATED STEEL PIPES FIRE RESISTANCE -/180/120 C/U Rigid Floors



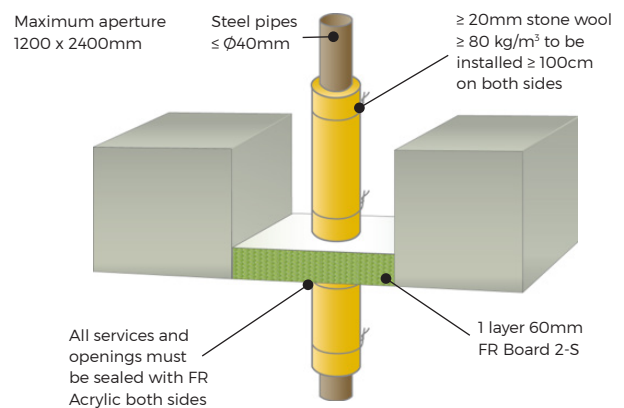
INSULATED STEEL PIPES FIRE RESISTANCE -/90/60 C/U Rigid Floors



STEEL PIPES FIRE RESISTANCE -/240/60 C/U Rigid Floors

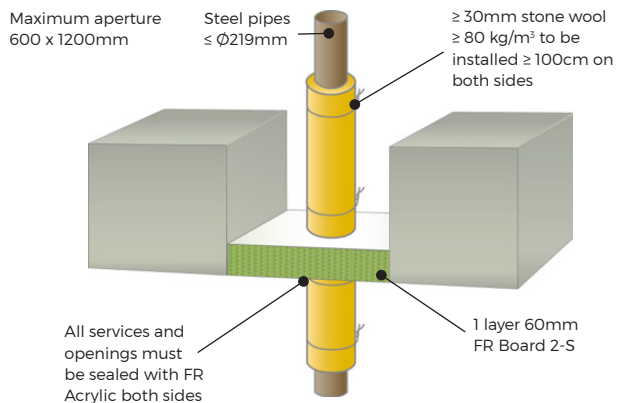


STEEL PIPES FIRE RESISTANCE -/120/60 C/U Rigid Floors

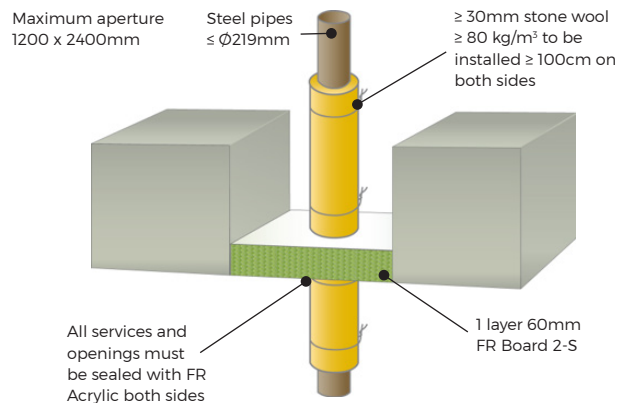


DETAIL DRAWINGS | IPASSIVE FR BOARD | FLOORS

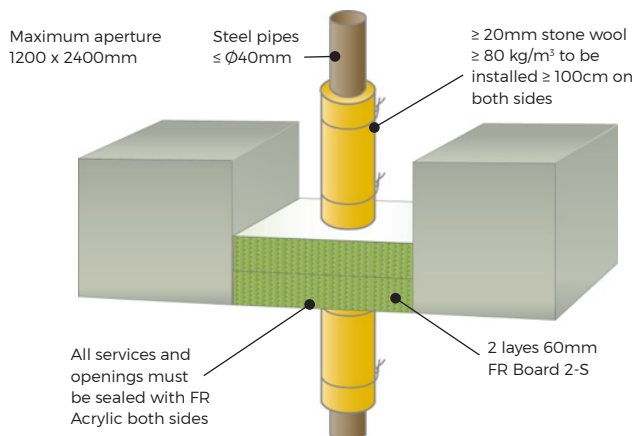
STEEL PIPES FIRE RESISTANCE -/240/90 C/U Rigid Floors



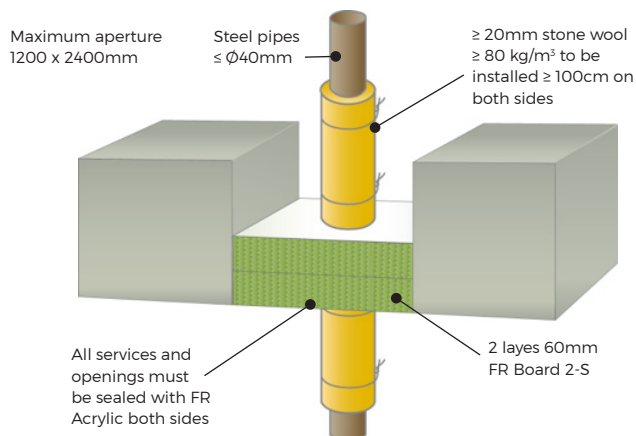
STEEL PIPES FIRE RESISTANCE -/120/90 C/U Rigid Floors



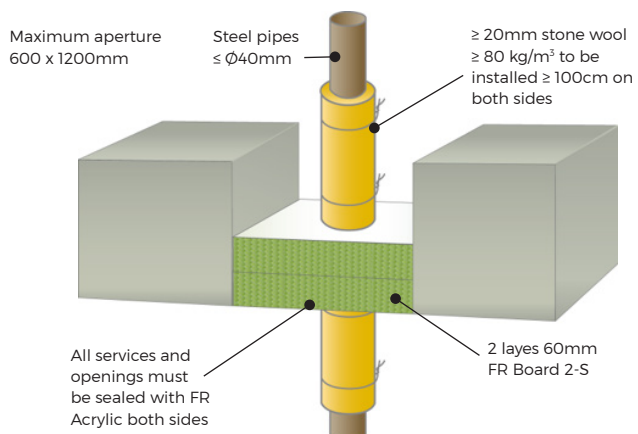
STEEL PIPES FIRE RESISTANCE -/240/240 C/U Rigid Floors



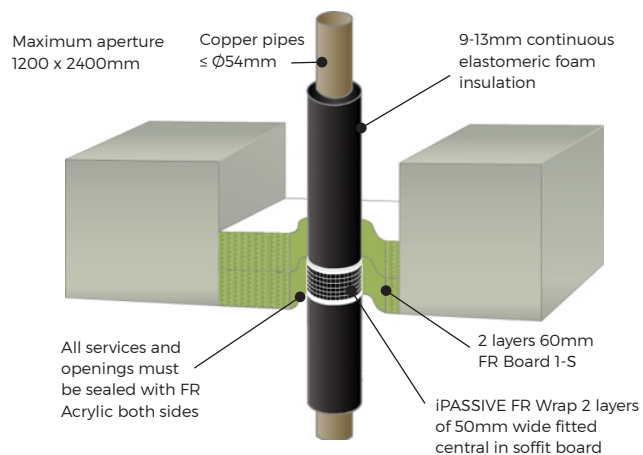
STEEL PIPES FIRE RESISTANCE -/180/120 C/U Rigid Floors



STEEL PIPES FIRE RESISTANCE -/180/180 C/U Rigid Floors

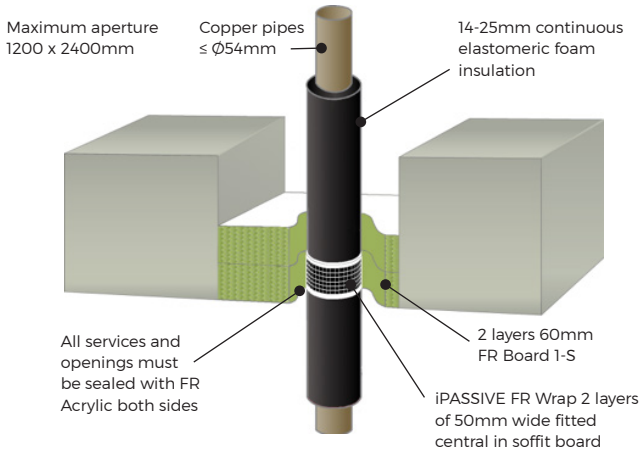


COPPER PIPES FIRE RESISTANCE -/240/60 C/C Rigid Floors

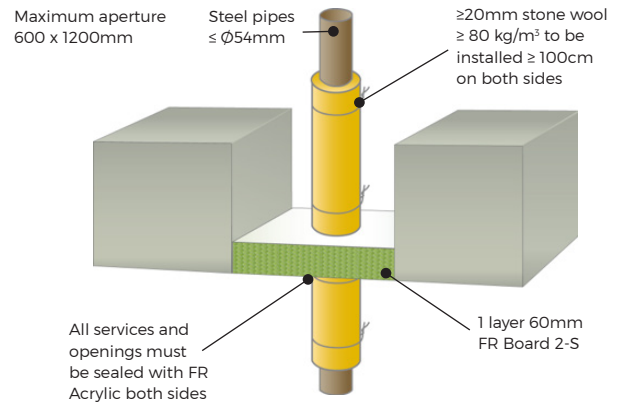


DETAIL DRAWINGS | IPASSIVE FR BOARD | FLOORS

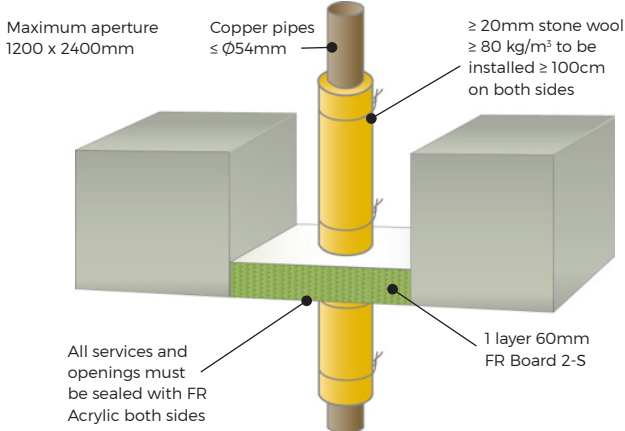
COPPER PIPES FIRE RESISTANCE -/180/30 C/C Rigid Floors



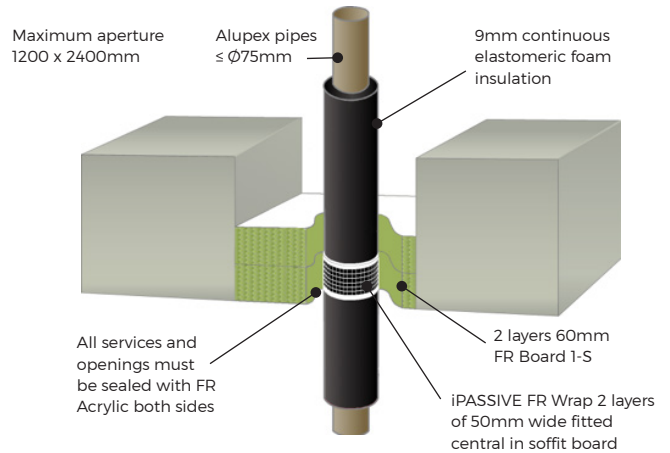
COPPER PIPES FIRE RESISTANCE -/240/- C/U Rigid Floors



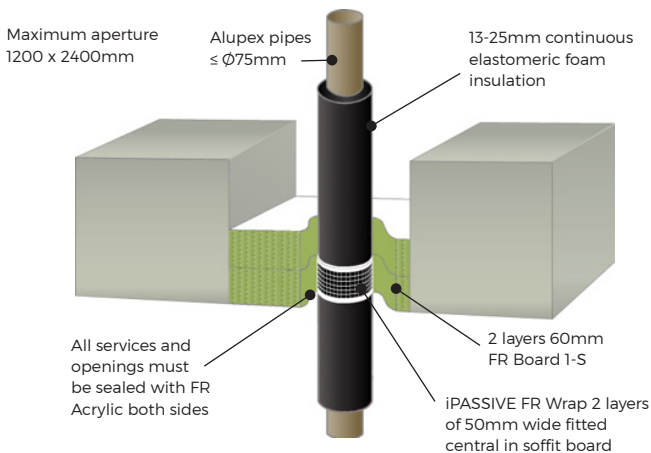
COPPER PIPES FIRE RESISTANCE -/120/- C/U Rigid Floors



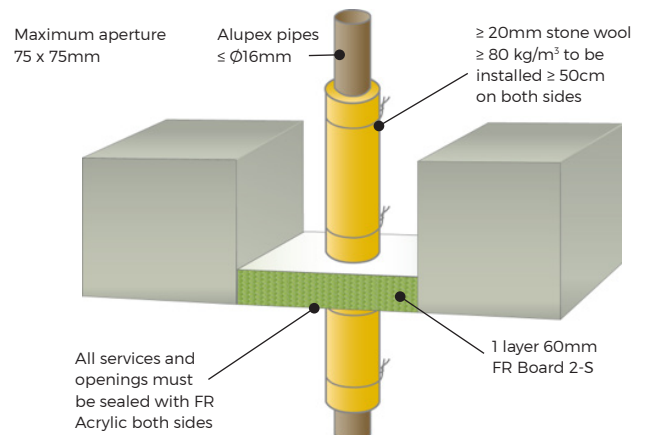
ALUPEX PIPES FIRE RESISTANCE -/120/120 C/C Rigid Floors



ALUPEX PIPES FIRE RESISTANCE -/60/30 C/C Rigid Floors

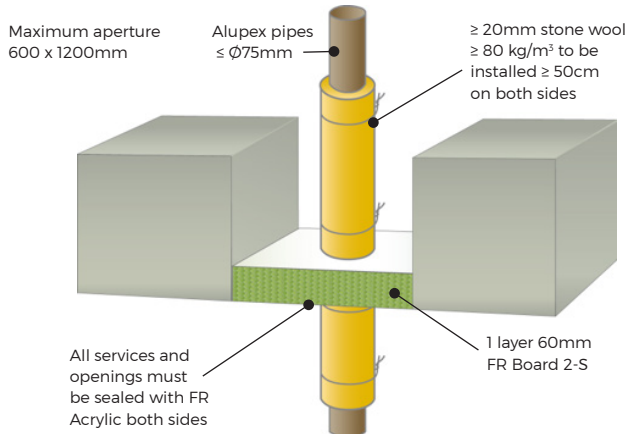


ALUPEX COMPOSITE PIPES FIRE RESISTANCE -/240/180 C/C Rigid Floors

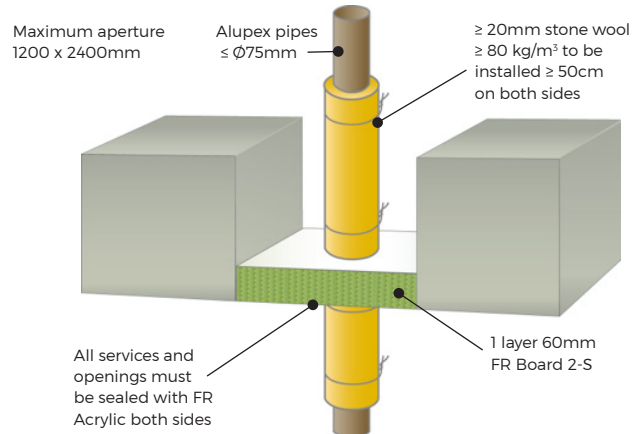


DETAIL DRAWINGS | IPASSIVE FR BOARD | FLOORS

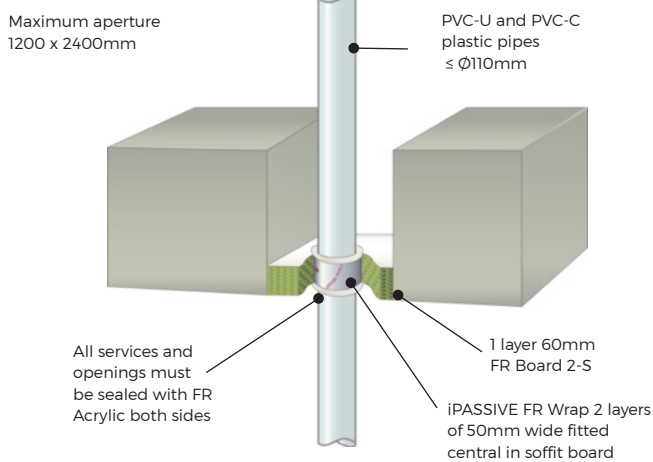
ALUPEX COMPOSITE PIPES FIRE RESISTANCE -/240/90 C/C Rigid Floors



ALUPEX COMPOSITE PIPES FIRE RESISTANCE -/120/90 C/C Rigid Floors



COPPER PIPES FIRE RESISTANCE -/120/- C/U Rigid Floors



DISCLAIMER:

As a part of our policy of on-going product development and testing, we reserve the right to modify, alter or change product specifications without giving notice. All information contained in this document is given in good faith and is provided for guidance only. Any drawings provided are for illustrative purposes only. As iPASSIVE has no control over the methods or competence of installation and of prevailing site conditions, no warranties, expressed or implied, are intended to be given as to the actual performance of the product mentioned or referred to herein and no liability whatsoever will be accepted for any loss, damage or injury arising from the use of the information given.